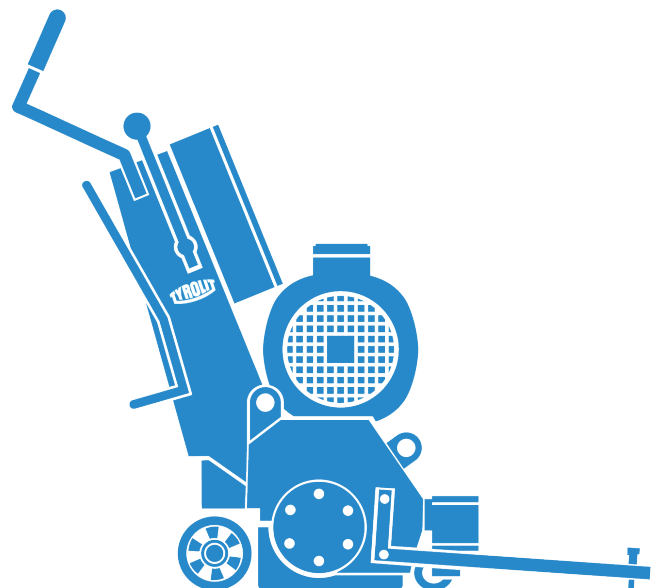




User Manual

Floor Planer / Scarifier FPE200

Index 000



Congratulations!

You have chosen a tried and tested TYROLIT Hydrostress product which is made according to leading technological standards. Only original TYROLIT Hydrostress spare parts guarantee quality and interchangeability.

If the maintenance work is neglected or improperly carried out, we cannot fulfill our guarantee obligations. All repairs may only be carried out by trained specialists. Our customer service will be happy to help you keep your TYROLIT Hydrostress devices in perfect condition.

We wish you trouble-free and trouble-free work.

TYROLIT Hydrostress

Copyright © TYROLIT Hydrostress

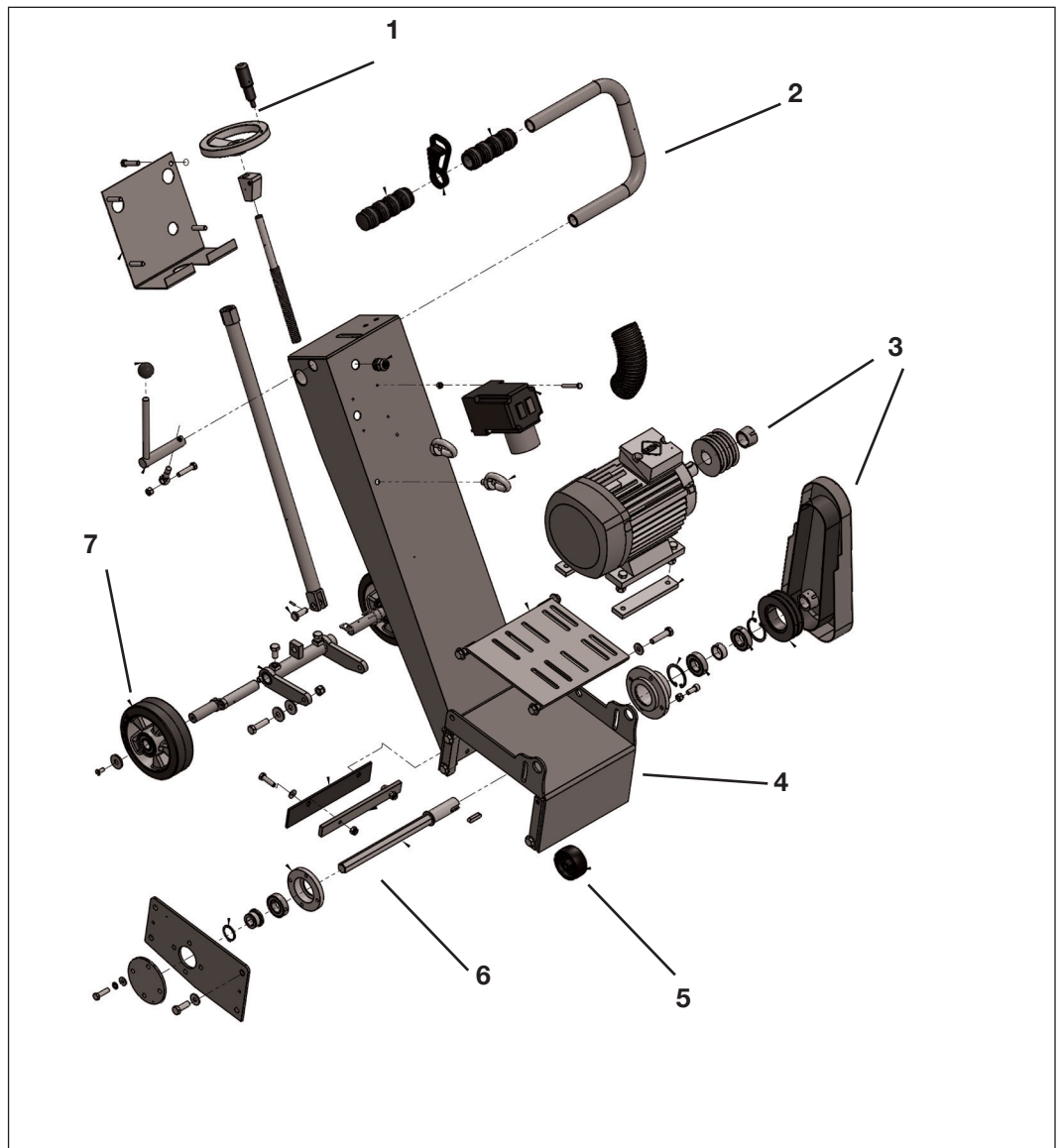
TYROLIT Hydrostress AG
Witzbergstrasse 18
CH-8330 Pfäffikon
Switzerland
Telefon 0041 (0) 44 952 18 18
Telefax 0041 (0) 44 952 18 00

www.tyrolit.com

Index

1. General Safety Precautions	5
1.1. Safety rules for the operation of the Scarifiers/Planers	5
1.2. Labels on the FPE200 floor scarifier	6
1.3. Machine type identification label FPE200	6
2. Operating the Machine	7
2.1. Range of applications of the FPE200	7
2.2. Operational function of the FPE200	7
2.3. Application of the tools	7
2.4. Operating and scarifying	7
2.5. Correct position of the cutters in the drum	8
2.6. Adjusting the height of the tool drum	8
2.7. Changing the tool drum	9
3. Technical Data	11
3.1. Tools for the drum	12
4. Trouble Shooting	12
5. Maintenance and cleaning	13
6. EU-Declaration of Conformity	14

Product Overview



Product Overview

- 1 Hand wheel
- 2 Handle
- 3 Motor and belt drive
- 4 Main frame
- 5 Front wheel
- 6 Drum shaft
- 7 Rear wheel

General Safety Precautions

1.1 Safety rules for the operation of the Scarifiers/Planers



Information

The FPE200 rotary scarifier has been developed according to existing safety rules and regulations. The technical safety precautions must not be removed or changed under any circumstances. When operating the milling machine, the following points should also be observed:



Danger!

- The FPE200 floor planer / scarifier may only be operated with all protective safety covers and technical precautions.
- The power must be disconnected when transporting, cleaning, repairing or maintaining the machine. This also applies to tool changes.
- The operator should never leave the machine during operation.
- The tool must be removed before the machine is transported.
- Before leaving the machine all rotary parts should be brought to a stand still.
- The electric models must be disconnected from the mains. Make sure that the machine cannot roll or move by itself.
- After maintenance and adjustment all safety covers must be reattached.
- If unusual running noises or increased vibrations are registered during operation of the FPE200, the machine must be switched off immediately and the cause of the problem must be explored.
- After maintenance and repair work, the protective devices must be properly reinstalled.
- Noise protection equipment must be worn by the machinist.
- The machine operator must wear eye protection.
- The machinist must wear safety shoes with steel toecaps.
- If there is a lot of dust in closed rooms, the floor milling machine must be operated with an extraction system.

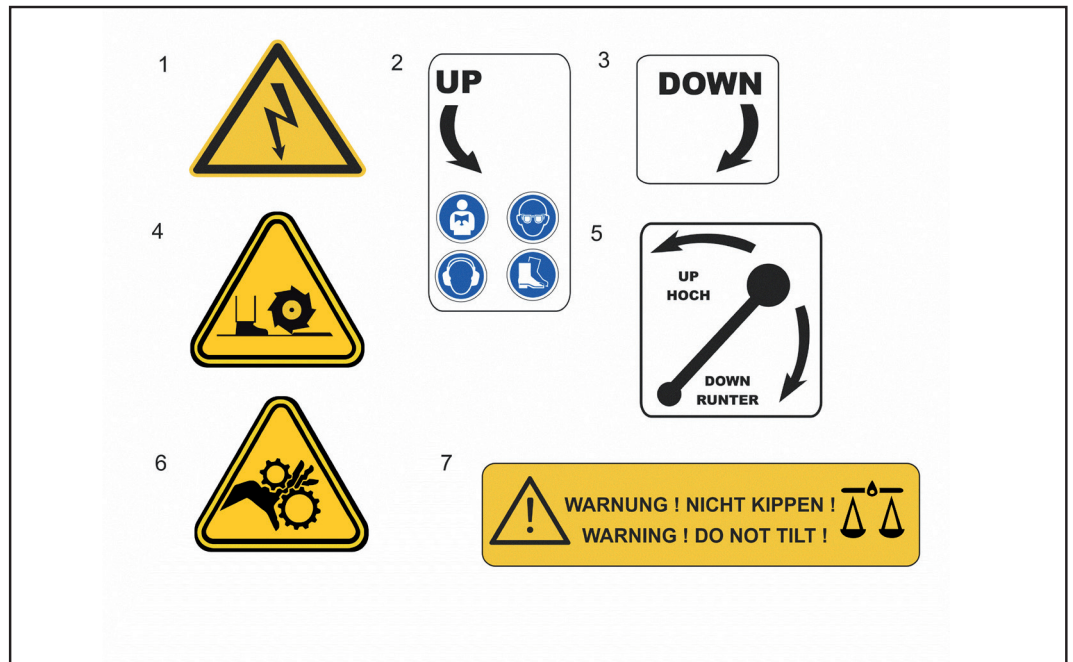


Attention!

Depending on the type of floor and coating, gases / dust can be released during milling. It is the responsibility of the user whether these generated gases / dust may contain dangerous substances and whether protective measures have to be taken.

Floors containing asbestos is especially dangerous and can cause health problems. Special masks must be worn which keep breathing air clean. A dust collector must be used and should be equipped with filters suitable for asbestos dust.

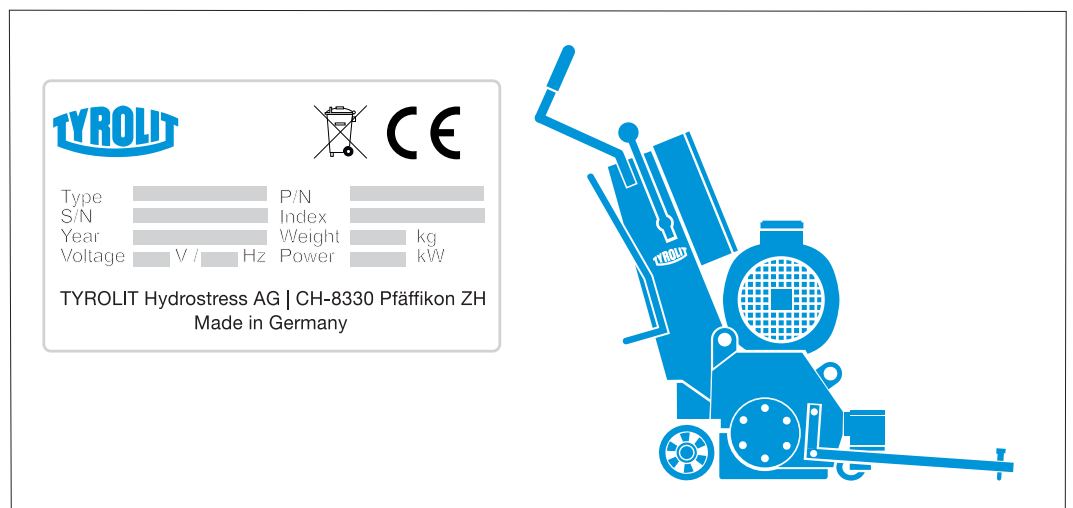
1.2 Labels on the FPE200 floor scarifier



Labels on the FPE200 floor scarifier

- 1 Warning - electrical voltage.
- 2 Read all information carefully. Safety goggles, ear protectors and steel toe shoes must be worn.
UP - direction of lifting the tools from the ground.
- 3 DOWN - direction of lowering the tools to the ground.
- 4 Warning! Rotating sharp objects - risk of cutting!
- 5 Lever direction for raising or lowering the tool drum.
- 6 Warning - rotating objects - risk of injury.
- 7 Warning! Do not tilt - especially with the petrol version.

1.3 Machine type identification label FPE200



Machine type ID label FPE200

2. Operating the Machine

2.1 Range of applications of the FPE200






Information

The FPE200 has been specifically designed developed for the milling or scarifying of horizontal, dry floors such as concrete and steel surfaces with and without coatings and for asphalt using the milling tools offered exclusively by TYROLIT. Specifically for use outside in dry weather. The operation is only permitted with a dust extraction system recommended by TYROLIT.

2.2 Operational function of the FPE200

The FPE200 performs aggressively when removing concrete, asphalt, coatings and road markings. Specially designed milling flails make it easy to remove flexible plastic coatings, epoxy resins and road markings.

2.3 Application of the tools

Tools	Application
TCT Cutters 	Heavy duty, long life cutters for all concrete texturing, scabbling, planing and grooving applications. Also used for removal of road markings, roof chippings and brittle coatings
Milling cutters 	Primarily for the removal of thermoplastic road / runway markings. Tipped with tungsten carbide they are cost effective and highly efficient. A range of cutter dimensions are available
Beam flails 	Heat treated cutters for the removal of paint coatings and laitance from new concrete. Also for removing grease, dirt and ice deposits.

2.4 Operating and scarifying

After mounting the appropriate tools the operation of the scarifier / planer can begin.

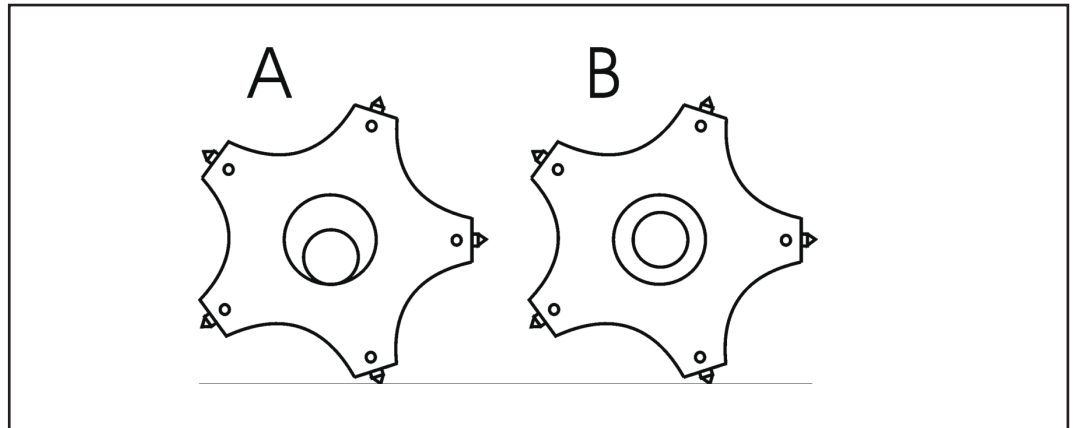
- ▶ The height adjustment lever (see chapter 2.6 Adjusting the tool drum) must be in the upper position before the motor is switched on. In addition, the handwheel of the machine must be turned anti-clockwise as far as it will go.
- ▶ Switch on the motor.
- ▶ Lower the tiller by pushing the quick height adjustment lever down.
- ▶ Adjust the working depth with the handwheel of the height adjustment until the tools are lowered to the floor and until the required finish is achieved.
- ▶ Heavy dust formation can be avoided by connecting an extraction system.
- ▶ The damping of the operator's grip enables almost vibration-free work

2.5 Correct position of the cutters in the drum



Danger!

Excessive depth adjustment will jam the cutters between the drum shaft and the surface (A). The consequence is the destruction of the cutters, drum shafts and the drum. If the machine has to be lowered, always make sure that the tools can still turn freely on the drum shafts (B).



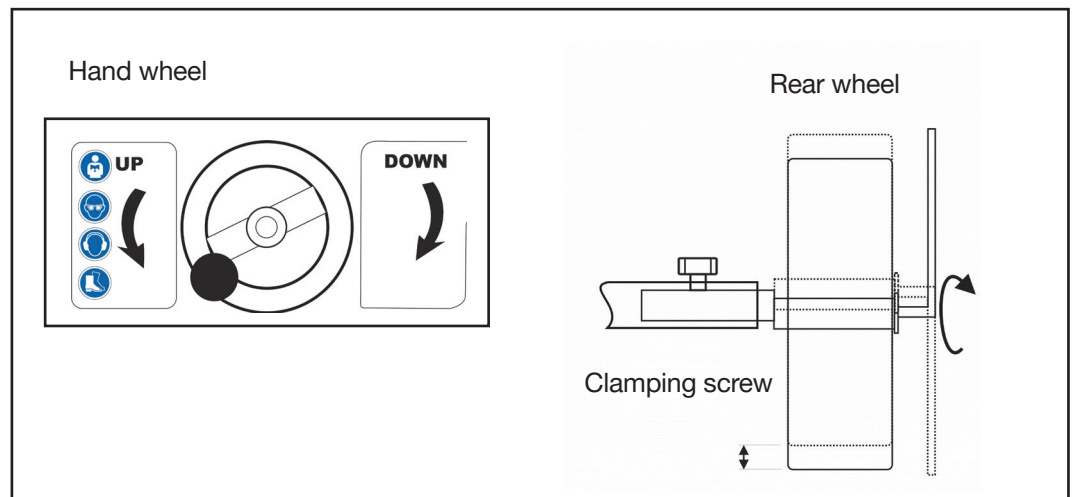
Cutters Position A und B.



Danger!

Excessive depth setting reduces the power of the tools and does not improve performance.

2.6 Adjusting the height of the tool drum



Adjusting the height of the tool drum

During the operation of the FPE200 floor planer or after a drum has been changed or replaced, the drum shaft and the rear wheel axis can fall out of alignment. This is noticeable through an uneven milling pattern.

The milling machine touches down earlier on one side than on the other and thus removes more material on one side. The rear wheels of the milling machine are mounted on an eccentric shaft. (see picture above - adjusting the tool drum)

If the milling pattern needs to be set, proceed as follows:

- ▶ Place the planer on an even floor.
- ▶ Lift the machine with the height adjustment hand wheel, until all the tools are well clear of the floor.

- ▶ Loosen the clamping screw of the eccentric shaft.
- ▶ On the other side of the rear wheel is a screw which keeps the wheel on the shaft.
- ▶ Turning the screw will also turn the eccentric shaft.
- ▶ The floor planer moves up and down on one side.
- ▶ Always turn the screw clockwise. Anti clockwise will loosen the screw.
- ▶ Keep turning until all the tools on the drum are the same distance to the floor.

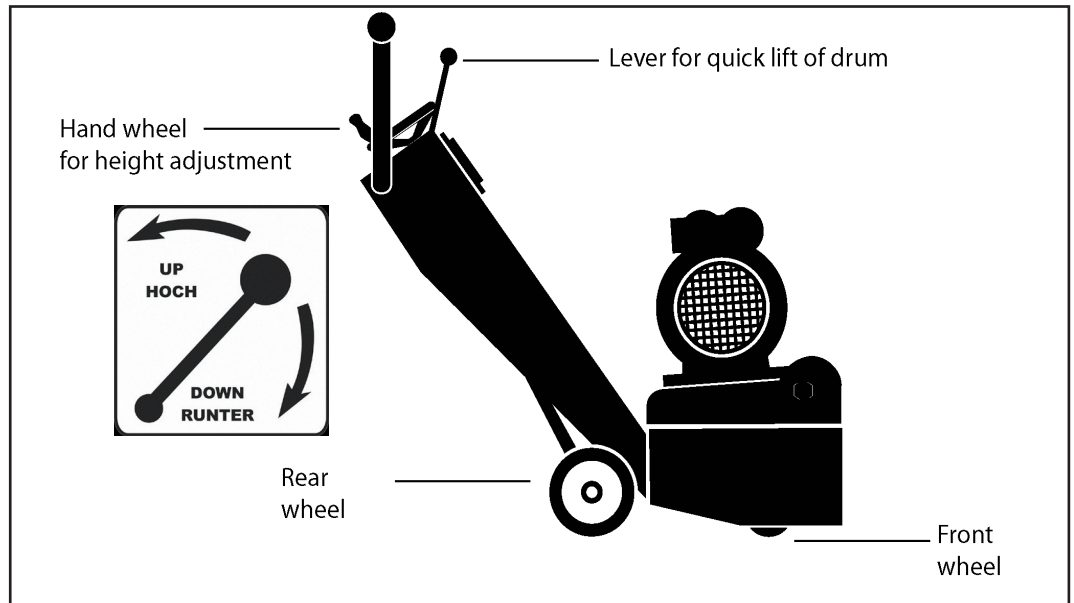
Tighten the clamping screw again

2.7 Height adjustment

Danger!



Never switch the motor of the planer on while the tools still touch the floor. Always lift the machine and the tools clear from the floor using the lever and then switch the motor on.



2.8 Changing the tool drum



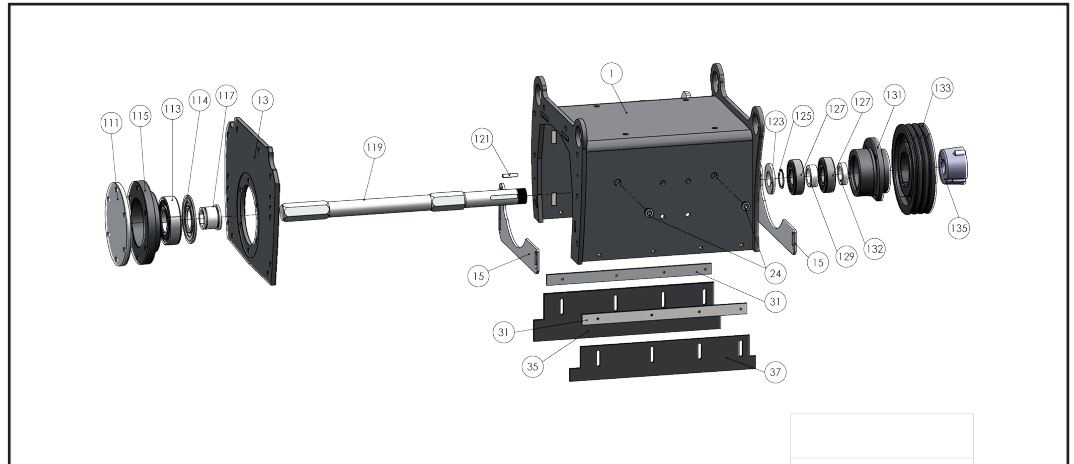
Danger!

Before any maintenance, the machine must be brought to a complete stand still. Always disconnect the machine if it is an electric model.

- ▶ Lift the machine with the lever so that the tools are well clear of the floor.
- ▶ Unscrew the screws on the right side plate (M10, Key width 17 mm)
- ▶ Carefully remove the side plate.
- ▶ Take out the drum. Remove worn out tools.
- ▶ Check shafts and drums for wear and tear. If necessary replace new tools on the drum.
- ▶ Push drum on freshly greased shaft.
- ▶ Reconnect side plate.

See 2.8.1 Drum housing complete

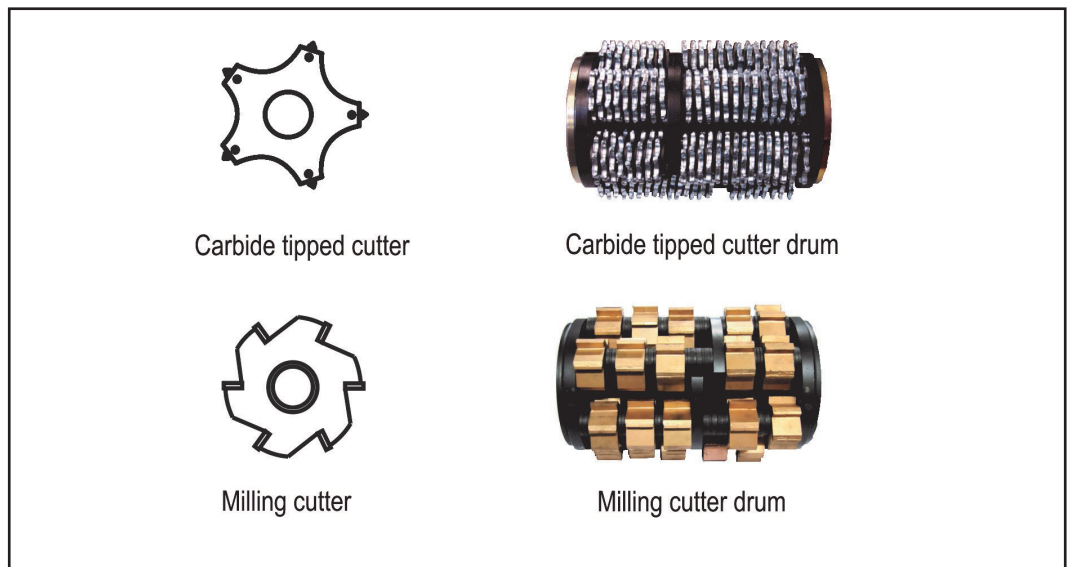
2.8.1 Drum housing complete



Drum housing complete

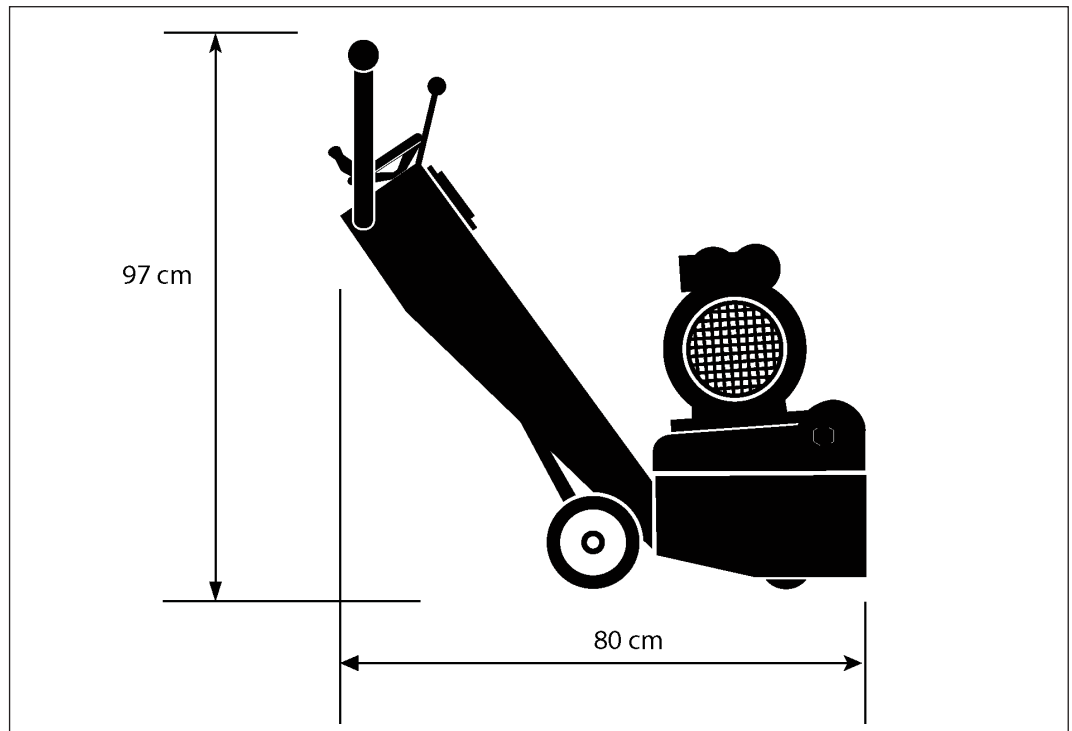
- | | | | | | |
|-----|-----------------------------------|-----|-----------------|-----|-------------|
| 1 | Drum Housing complete | 115 | Bearing Housing | 132 | Spacer |
| 13 | Side Plate right | 117 | Hexagon Ring | 133 | Drum Pulley |
| 15 | Sealing Slide | 119 | Drum Shaft | 135 | Taperlock |
| 24 | Plug Brass | 121 | Key | | |
| 31 | Bracket Rubber Sealing front/back | 123 | Spacer | | |
| 35 | Rubber Sealing rear | 125 | Circlip | | |
| 37 | Rubber Sealing front | 127 | Bearing | | |
| 111 | Bearing Housing Lid | 129 | Spacer | | |
| 113 | Bearing | 131 | Bearing Housing | | |
| 114 | Sealing | | | | |

2.8.2 Example of tools and drum



Example of tools and drum

3 Technical Data



Technical Data for the FPE200	
Parameter	Value
Width of cut	32 cm (12.5 in)
Machinenbreite	61 cm (24 in)
Width of machine	110 cm (43 in)
Width of machine	110 cm (43 in)
Weight with drum	230 kg (507 lbs)
Dust port Ø	7 cm (2.86 in)
Height adjustment	Handrad mit Hebel
Vibration damped handle	Rubber block on handle bracket
Electric motor	Europe: 400 V, 11-18.5 kW USA: 460 V, 17.3 kW, (23.5 hp) 60 Hz
Average value of acceleration a_{hv}^*	8,6 m/s ²
Noise level L_{wa}^*	109 dB(A)
Noise level L_{eq}^*	87 dB(A)

* Measured values / data: VÜA Verein zur Überwachung technischer Anlagen e.V.

3.1 Tools for the drum

Tools for the FPE200	
Parameter	Value
Drum diameter	10.8 cm
Cutter shaft diameter	1.2 cm
Number of shafts	4
TCT cutter	46/5
Milling cutter	46/20
Beam flail	46
Cutter diameter	4.6 cm
Max No. of TCT cutters	76
Max. No. of milling cutters	24

4 Trouble Shooting

Trouble Shooting		
Problem	Possible cause	Solution
Machine does not run	<ul style="list-style-type: none"> – Power supply interrupted – Defective fuse cable or plug defective – Star-delta switch not at zero position – Wrong direction of rotation 	<ul style="list-style-type: none"> – Check the network supply – Eliminate the fault by a specialist or replace parts – Turn switch to zero – Turn the Phase in the plug
High dust development during operation	<ul style="list-style-type: none"> – Connection to the dust collection system interrupted – Extraction system not switched on – Milling area sealing defective 	<ul style="list-style-type: none"> – Check dust port connection – Turn on or restart dust collector – Replace sealings
High vibration	<ul style="list-style-type: none"> – Wear & tear parts are worn out 	<ul style="list-style-type: none"> – Check all tools and the correct assembly of drum and replace if required

5 Maintenance and cleaning

Maintenance and cleaning	
Bearings	– All bearings are greased for their life time.
Height adjustment and joints	– All joints have to be greased periodically with a standard machine grease.
Belt drive	– Check the belts after approximately every 30 hours of operation. The belt is tensioned automatically by a tensioner wheel underneath the belt cover
Cleaning	– Regular cleaning of the machine increases the life of all components and tools of the planer.

6 EU-Declaration of Conformity

Machine function Floor planer / scarifier
Type of machine FPE200

We hereby certify that the machine described here in its conception, construction and form and placed into circulation by TYROLIT, is done so in accordance with all the relevant essential health and safety requirements of the EU Machinery Directive 2006/42/EEC as amended and the national laws and regulations adopting this directive.

This declaration is no longer valid if the machine is modified without our consent.

The agreement with further valid guidelines/regulations for the products is explained in the following:

2006/42/EG vom 17. May 2006
2004/108/EG vom 15. December 2004

Other applied harmonized standards and specifications in particular:

EN ISO 12100 : 2010
EN 60204 -1 : 2018
EN IEC 61000-6-2 : 2019
EN IEC 61000-6-4 : 2019

TYROLIT Hydrostress AG

Witzbergstrasse 18
CH-8330 Pfäffikon
Switzerland

Pfäffikon, 14.July 2021



Roland Kägi
Head of technical Development

TYROLIT CONSTRUCTION PRODUCTS GMBH

Swarovskistraße 33 | 6130 Schwaz | Austria

Tel +43 5242 606-0 | Fax +43 5242 63398

Our **worldwide subsidiary companies** can be found
on our website at **www.tyrolit.com**