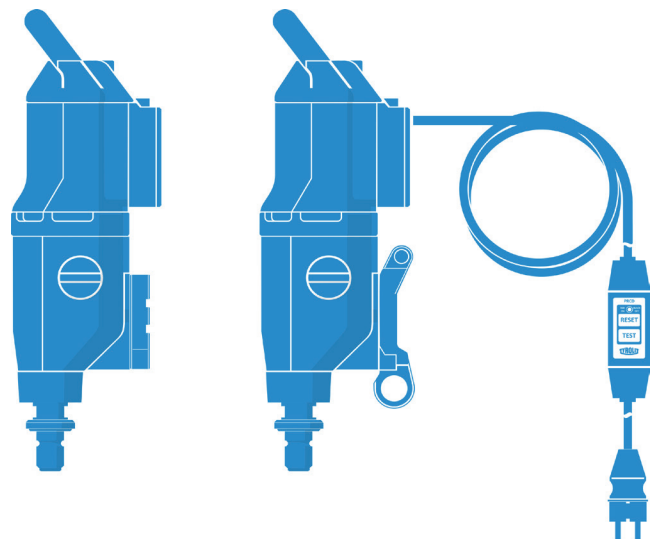




OPERATING INSTRUCTIONS

**DME32MWIDME32UW
DME26MWIDME26UW
DME23UW**

Index 000



Congratulations!

You have chosen tried and tested Tyrolit Hydrostress equipment that sets technological standards for the industry. Only genuine Tyrolit Hydrostress spare parts guarantee quality and problem-free replacement. If maintenance work is neglected or not performed correctly, we cannot cover our warranty obligations. All repairs must be performed by trained specialist personnel only.

Our Customer Service is at your disposal to help keep your Tyrolit Hydrostress equipment in perfect condition.

We wish you smooth, trouble-free working.

Tyrolit Hydrostress

Copyright © Tyrolit Hydrostress

Tyrolit Hydrostress AG
Witzbergstrasse 18
CH-8330 Pfäffikon
Switzerland
Phone 0041 (0) 44 952 18 18
Fax 0041 (0) 44 952 18 00

www.tyrolit.com

Contents

1. About these instructions	4
1.1. Symbols in these instructions	4
2. Safety	5
2.1. General safety information	5
2.2. Protection devices and signs on the equipment	7
2.3. Spare parts and modifications	8
2.4. Danger zone and work area	8
2.5. Product-specific hazards	9
2.6. Residual risks	9
3. Product description	11
3.1. Core drilling system	11
3.2. Intended use	11
3.3. Scope of delivery	11
3.4. Technical data and main dimensions	12
3.5. Fluids and lubricants	13
3.6. Drilling range	14
3.7. Type plate	16
4. Design and function	17
4.1. Design	17
4.2. Function	17
4.3. Controls and display elements	18
5. Assembly/disassembly	20
5.1. Drill rig interface	20
5.2. Cutting tool interface	21
5.3. Power supply	22
5.4. Water	23
6. Operation	25
6.1. Settings	25
6.2. Starting/switching off the power tool	25
6.3. Select drilling mode	26
6.4. Monitoring, inspections	26
6.5. Troubleshooting	27
7. Servicing and maintenance	28
7.1. Recycling waste materials	28
8. EC Declaration of Conformity	29

1. About these instructions



This instruction manual is just part of the documentation for the power tool. This booklet is only complete together with the “core drilling safety manual/system description”.

This booklet together with the “Core drilling safety manual/system description” is part of the equipment. It describes safe and correct use in all operating phases.

- Carefully read the instructions, especially the safety information, before use.
- Keep the instructions throughout the lifetime of the equipment.
- Keep the instructions accessible to the operator and service technician at all times.
- Always pass on instructions to all future owners or users of the equipment.
- Update the instructions whenever you receive an update from the manufacturer.

1.1 Symbols in these instructions



DANGER

Warning of dangers which, if not avoided, can lead to severe or fatal injury.



WARNING

Warning of dangers which, if not avoided, can lead to injury or material damages.



WARNING

Warning of dangerous electric voltage.

Before working in an area with this warning, completely disconnect the system or equipment from the power supply (voltage) and secure so it cannot be inadvertently switched back on.



INFORMATION

Information for optimum use of the equipment. If this information is not heeded, the specifications in the technical data cannot be guaranteed.



RECYCLING

Recycling waste materials.



DISPOSAL

For disposal, pay attention to the usual regional and domestic laws and regulations in your country.

2. Safety



Core drilling systems may only be used by authorised personnel. You can find information on authorised personal in the “Core drilling safety manual/system description”.

2.1 General safety information



WARNING

Read all safety information and instructions. Failure to comply with the safety information and instructions may cause electric shock, fire and/or serious injury. Keep all safety information and instructions for future reference.



INFORMATION

The term “power tool” used in the safety information refers to mains-operated power tools (with mains cable) and battery-operated power tools (without mains cable).

2.1.1 Workplace safety

- Keep your workplace clean and well illuminated. Disorganised or dark workplaces can lead to accidents.
- Do not work with the power tool in potentially explosive areas containing combustible liquids, gases or dust. Power tools generate sparks that can ignite dust or vapours.
- Keep children and other people away when operating the power tool. You risk losing control of the equipment if you are distracted.

2.1.2 Electrical safety

- The plug for the power tool must fit into the socket. The plug must not be modified in any way. Do not use adapter plugs with earthed power tools. Unmodified plugs and the appropriate sockets reduce the risk of electric shock.
- Avoid physical contact with earthed surfaces such as pipes, heaters, stoves and refrigerators. There is an increased risk of electric shock if your body is earthed.
- Do not expose your power tool to rain or moisture. Ingress of water into a power tool can increase the risk of electric shock.
- Do not misuse the cable to carry the power tool or hang it up, or to pull the plug out of the socket. Keep the cable away from heat, oil, sharp edges or the moving device parts. Damaged or entangled cables increase the risk of electric shock.
- If you are working with a power tool outdoors, only use extension cables that are also suitable for outdoor use. Using an extension cable suitable for outdoor use reduces the risk of electric shock.
- Use a residual current circuit breaker if operating the power tool in a damp environment is unavoidable. Using a residual current circuit breaker reduces the risk of electric shock.

2.1.3 Personal safety

- When operating the power tool, be attentive, pay attention to what you are doing and use common sense. Do not operate power tools when you are tired or under the influence of drugs, alcohol or medication. A moment of carelessness when operating the power tool can lead to serious injury.
- Always wear personal protective equipment and protective goggles. Depending on the type and operation of power tool, wearing personal protective equipment, such as a dust mask, anti-slip safety shoes, hard hat or ear protection reduces the risk of injury.
- Avoid inadvertently putting the power tool into operation. Make sure that the power tool is switched off before connecting it to the power supply and/or battery, picking it up or carrying it. If your finger is on the switch when carrying the power tool or you connect the equipment to the power supply when switched on, it can lead to accidents.
- Remove any adjustment tools or wrenches before switching the power tool on. Do not work on a ladder. A tool or wrench in a rotating piece of equipment can lead to injury.
- Avoid working in an unnatural posture. Ensure that you have a secure footing and keep your balance at all times. This allows you to better control the power tool in unexpected situations.
- Wear suitable clothing. Do not wear loose clothing or jewellery. Keep hair, clothing and gloves away from moving parts. Loose clothing, jewellery or long hair can be caught by moving parts.
- If dust extraction and collection devices can be fitted, make sure that they are connected and used correctly. Using a dust extraction system can reduce hazards from dust.

2.1.4 Use and handling of the power tool

- Do not overload the device. Use the appropriate power tool for your work. With the appropriate power tool, you can work better and more safely in the specified power range.
- Do not use a power tool if the switch is faulty. A power tool that can no longer be switched on and off is dangerous and must be repaired.
- Disconnect the plug from the socket and/or remove the battery before making device settings, changing accessories or putting the device away. This precautionary measure prevents the power tool from unintentionally starting.
- When not in use, store the power tool out of the reach of children. Do not allow people to operate the device who are not familiar with it or who have not read these instructions. Power tools are dangerous when used by inexperienced people.
- Maintain power tools with care. Check whether moving parts are working properly and do not jam, and whether parts are broken or damaged in such a way that the function of the power tool is impaired. Repair any damaged parts before using the equipment. Many accidents are caused by poorly maintained power tools.
- Keep cutting tools sharp and clean. Carefully maintained cutting tools with sharp edges are less likely to jam and are easier to guide.
- Use power tools, accessories, insertion tools etc. in accordance with these instructions. Take the working conditions and the activity to be carried out into account. Using power tools for applications other than those for which they are intended can lead to dangerous situations.

2.1.5 Service

- Only have your tool repaired by qualified specialists, and only with genuine spare parts. This guarantees that the safety of the power tool is maintained.

2.1.6 Safety instructions for drilling machines

- Wear ear protection when using drilling machines. Exposure to noise can cause hearing loss.
- Use the additional handles supplied with the device. Loss of control of the machine can lead to injuries.
- Hold the device by the insulated gripping surfaces when carrying out work where the insertion tool may hit concealed power lines or its own power cable. Contact with a live wire can also make metal device parts “live” and lead to electric shock.

2.2 Protection devices and signs on the equipment

Protection devices

Protection devices may only be removed when the equipment is switched off, has been disconnected from the mains supply and is stationary. Safety components, in particular, may only be removed and re-installed by authorised persons.

Safety elements must be checked to ensure they are in perfect working order before the equipment is brought back into operation.

2.2.1 Signs on the equipment

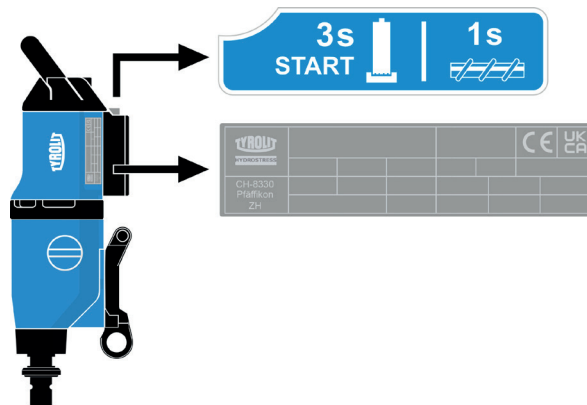
Safety sign



- 1 Read the instructions
2 Wear a helmet, goggles and ear protection

- 3 / 4 Conduct overhead drilling only with a suitable water catcher

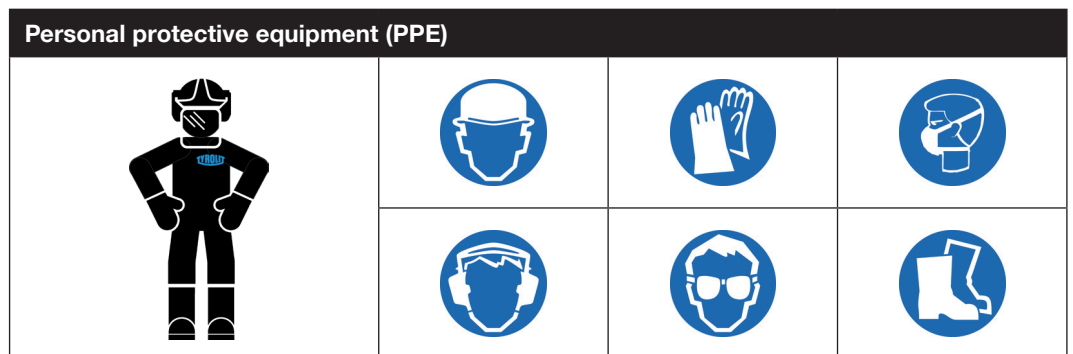
Type plate and drilling mode information sticker



Type plate and drilling mode information sticker

2.2.2 Personal protective equipment (PPE)

The wearing of PPE is essential for all work with and on floor core drilling systems.



Personal protective equipment (PPE)

2.3 Spare parts and modifications

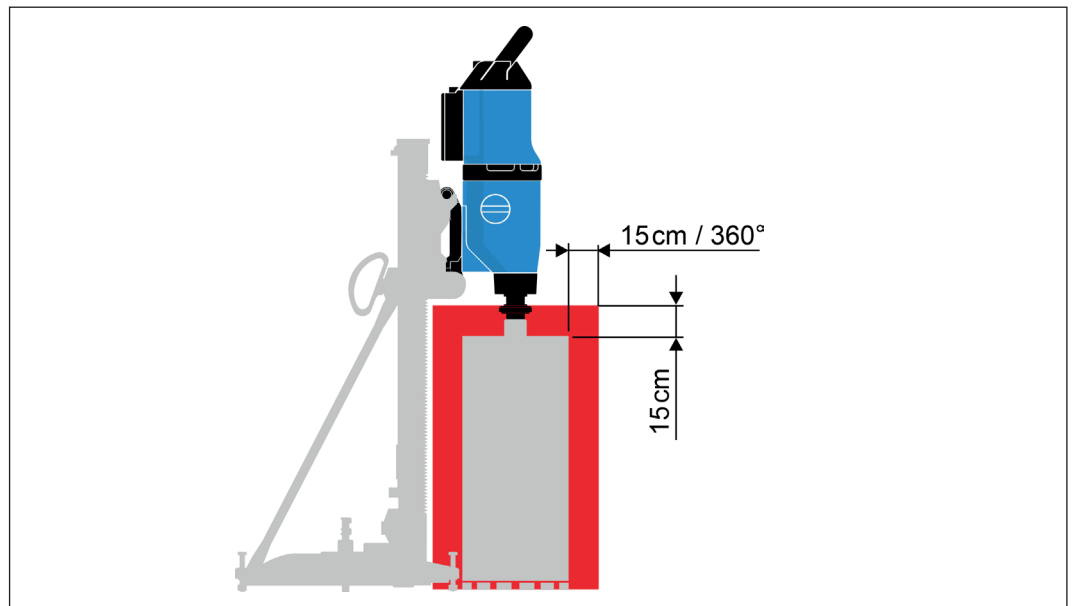
Only use genuine spare parts from Tyrolit Hydrostress.

Otherwise, personal injury, damage to the equipment and other material damages can occur. Do not install attachments on or convert the equipment without the written consent of Tyrolit Hydrostress.

2.4 Danger zone and work area

2.4.1 Danger zone on the power tool

The area marked in the drawing defines the danger zone of the power tool and the cutting tool. A minimum distance of 15 cm must be maintained during operation.



Danger zone on the power tool

2.4.2 Workstation danger zone



INFORMATION

You can find information on the workstation danger zone in the “Core drilling safety manual/system manual”.

2.5 Product-specific hazards

2.5.1 Personal residual current protection device (PRCD, GFCI) – 230 V only

Only work with a functional personal residual current protection device (PRCD, GFCI).



Personal residual current protection device



DANGER

There is a risk of death or serious injury if this is not observed.

- ▶ Do not expose your power tool to rain or moisture. Ingress of water into a power tool can increase the risk of electric shock.

2.5.2 Overhead drilling



- ▶ Drilling upwards (overhead drilling) in wet conditions is not permitted.

2.6 Residual risks

There is a risk of severe injury resulting from the residual risks described below.

2.6.1 Diamond segments flying away

- ▶ Only start drilling when there are no other people in the danger zone.
- ▶ Make sure that a safety distance is complied with.
- ▶ If diamond segments break off, replace the diamond coring bit.

2.6.2 Uncontrolled movements and vibrations

- ▶ Do not connect or disconnect cables when the electric equipment is running.
- ▶ Always hold the portable drilling machine by the handles with both hands when switched on. Thumb and fingers must be closed around the handles.
- ▶ Keep the handles clean.

2.6.3 Vibrations

- ▶ Vibrations can cause circulatory problems or nerve damage.
- ▶ Consult a doctor if symptoms occur.

2.6.4 Getting trapped and caught

Items of clothing or long hair could be caught by the rotating cutting tool.

- ▶ Do not wear loose clothing when working.
- ▶ Secure long hair in a hair net.

2.6.5 Harmful vapours and aerosol

Inhaling harmful vapours and aerosols can lead to respiratory problems. Inhaling water spray emanating from the machine is hazardous to health.

- ▶ Wear a respirator mask.
- ▶ Make sure that closed rooms have adequate ventilation.

2.6.6 Poor physical condition

- ▶ Do not work under the influence of alcohol, drugs or medication.
- ▶ Do not work when overtired.

2.6.7 Cutting tool quality

- ▶ Do not use damaged cutting tools.
- ▶ Check cutting tools for damage before assembly.

2.6.8 Danger from a cutting tool continuing to run in an accident

- ▶ Make sure that the electrical equipment can be stopped quickly.

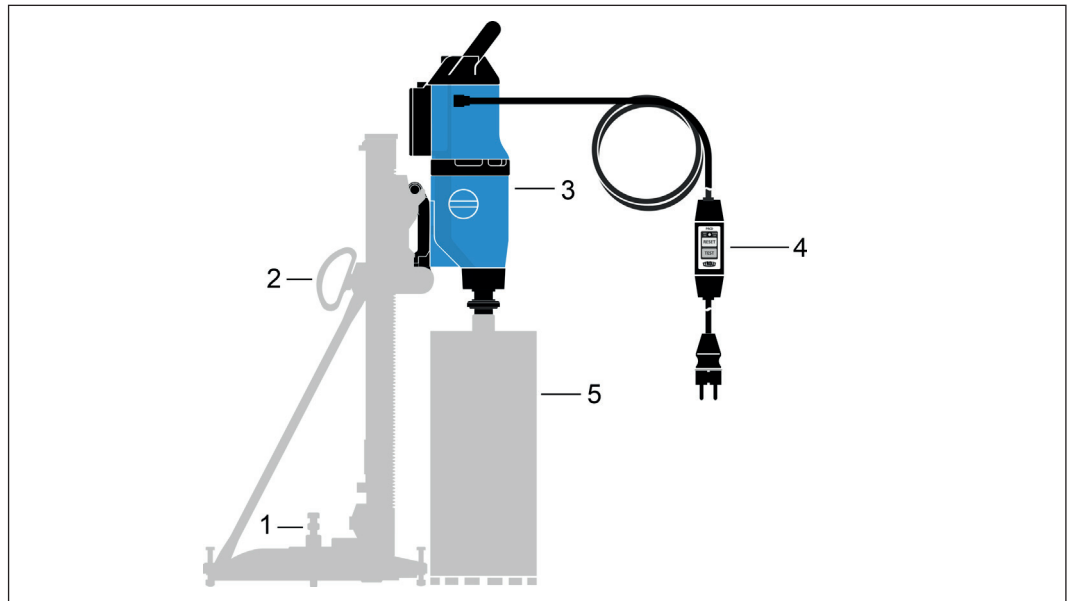


DANGER

Not observing the safety information in the “safety manual/system manual” can result in death or serious injury.

- ▶ Make sure that the “Core drilling safety manual/system description” has been read and understood in full.

3. Product description



Core drilling system

- | | |
|---------------------|---|
| 1 Mounting elements | 4 Personal residual current protection device (PRCD) – 230 V only |
| 2 Drill rigs | 5 Cutting tool |
| 3 Power tool | |

3.1 Core drilling system

This power tool forms a core drilling system in combination with suitable Tyrolit Hydros-tress components.

3.2 Intended use

The DME26MW/DME26UW and DME32MW/DME32UW and DME23UW power tools are designed for rig-guided drilling of mineral substrates using diamond coring bits. During this operation, a suitable drill rig must be used and sufficiently anchored to the surface by anchors, vacuum plates or quick-release supports.

Manipulating or modifying the device, drill rig and accessories is not permitted. Always use genuine Tyrolit Hydrostress accessories and suitable tools to avoid the risk of injuries.

3.3 Scope of delivery

- Drill motor
- Wrench SW32
- Adapter to water supply line (country-specific)
- Operating instructions

3.4 Technical data and main dimensions

3.4.1 Technical data

Drill motors	DME32MW/UW	DME26MW/UW	DME23 UW
Voltage	230V/115V	230V/115V	230V
Frequency	230V/50Hz 115V/60Hz	230V/50Hz 115V/60Hz	50Hz
Drill – Ø	50-350 mm	40-250 mm	30-250 mm
Nominal power	3.2kW	2.6kW	2.3kW
Nominal current	15 A (230V) 30A (115V)	12.3A (230V) 24.6A (115V)	10.0A
Load speed rpm	230/460/720	320/630/980	390/780/1220
No load speed	420/820/1250	550/1070/1630	550/1070/1630
Motor cooling	Air	Air	Air
Tool attachment (exterior)	1¼" UNC	1¼" UNC	1¼" UNC
Operation	drill-rig guided	drill-rig guided	drill-rig guided
Use	wet	wet	wet
Electronic overload cut-out	YES	YES	YES
Mechanical overload cut-out	YES	YES	YES
PRCD circuit breaker	YES (230V)	YES (230V)	YES
Power display	YES	YES	YES
Service indicator	YES	YES	YES
Drill rig attachment	ModulDrill Universal	ModulDrill Universal	Universal
Weight (without cable)	13.1 kg (MW) 12.8 kg (UW)	13.1 kg (MW) 12.8 kg (UW)	12.8 kg

Noise emissions and vibration

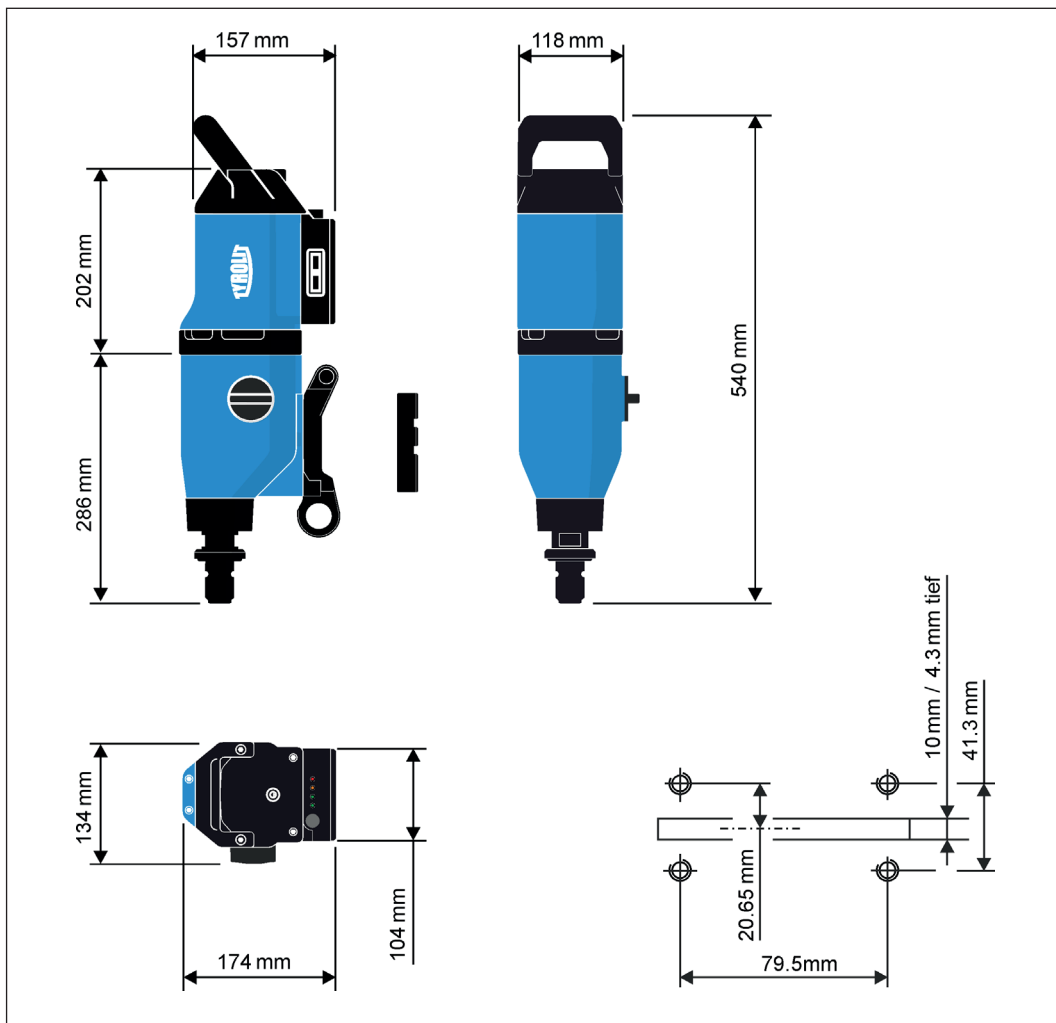
Noise data acc. to ISO 3744	
Parameter	Value
Noise pressure level L_{pA}	92 dB (A)*
Peak sound level pressure L_{pCpeak}	108 dB (A)
Sound power level L_{WA}	106 dB (A)*
Uncertainty K	3 dB (A)

Measurement conditions:

* Ø 100 mm drill bit not in cutting mode at full load

Vibrations (EN ISO 5349)	
Parameter	Value
Whole-body vibration a_{hv}	< 2.5 m/s ²

3.4.2 Dimensions



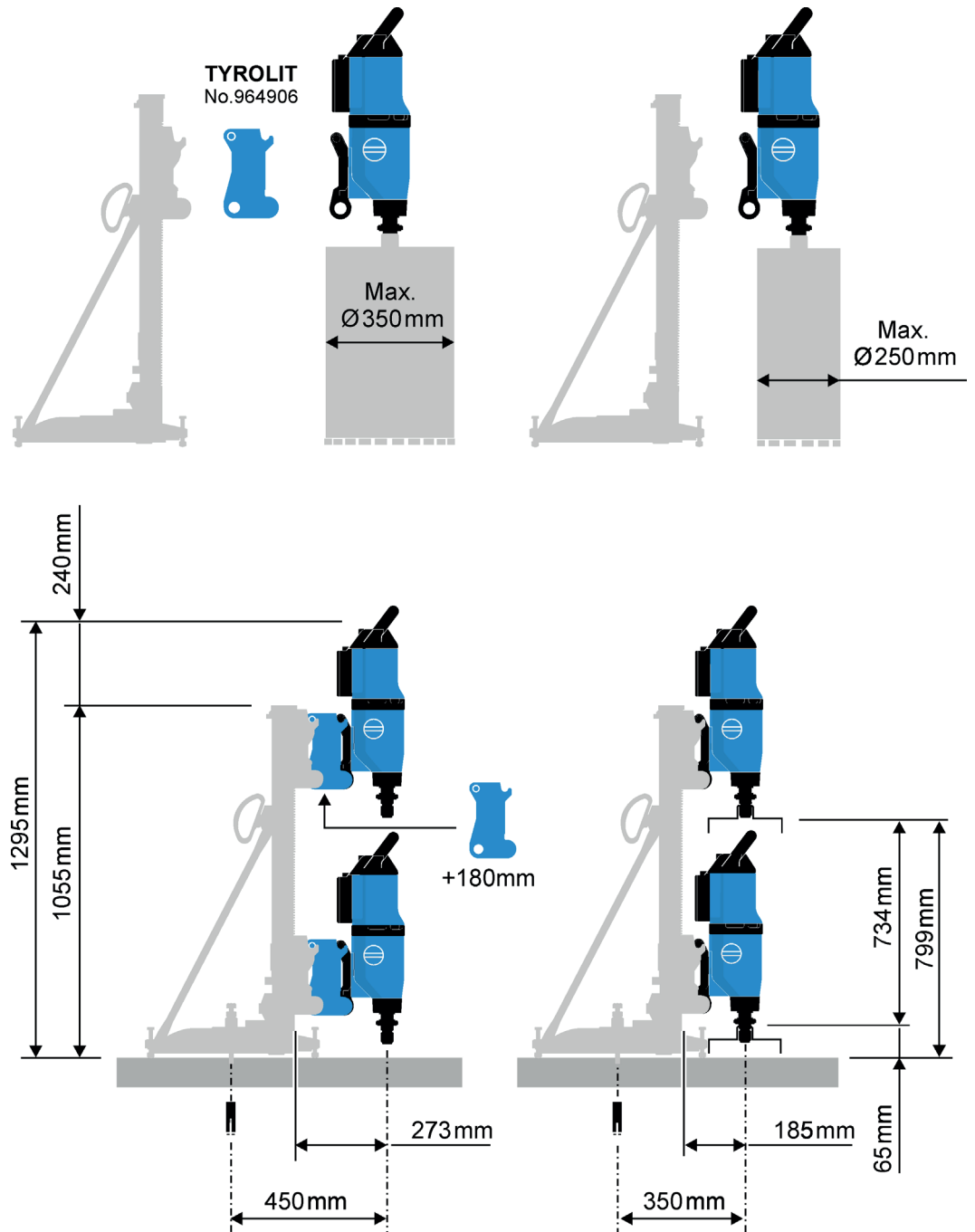
Dimensions in mm

3.5 Fluids and lubricants

Fluids and lubricants	
Parameter	Value
Transmission oil	ISO 100 (Tyrolit No. 10990215/450ml)

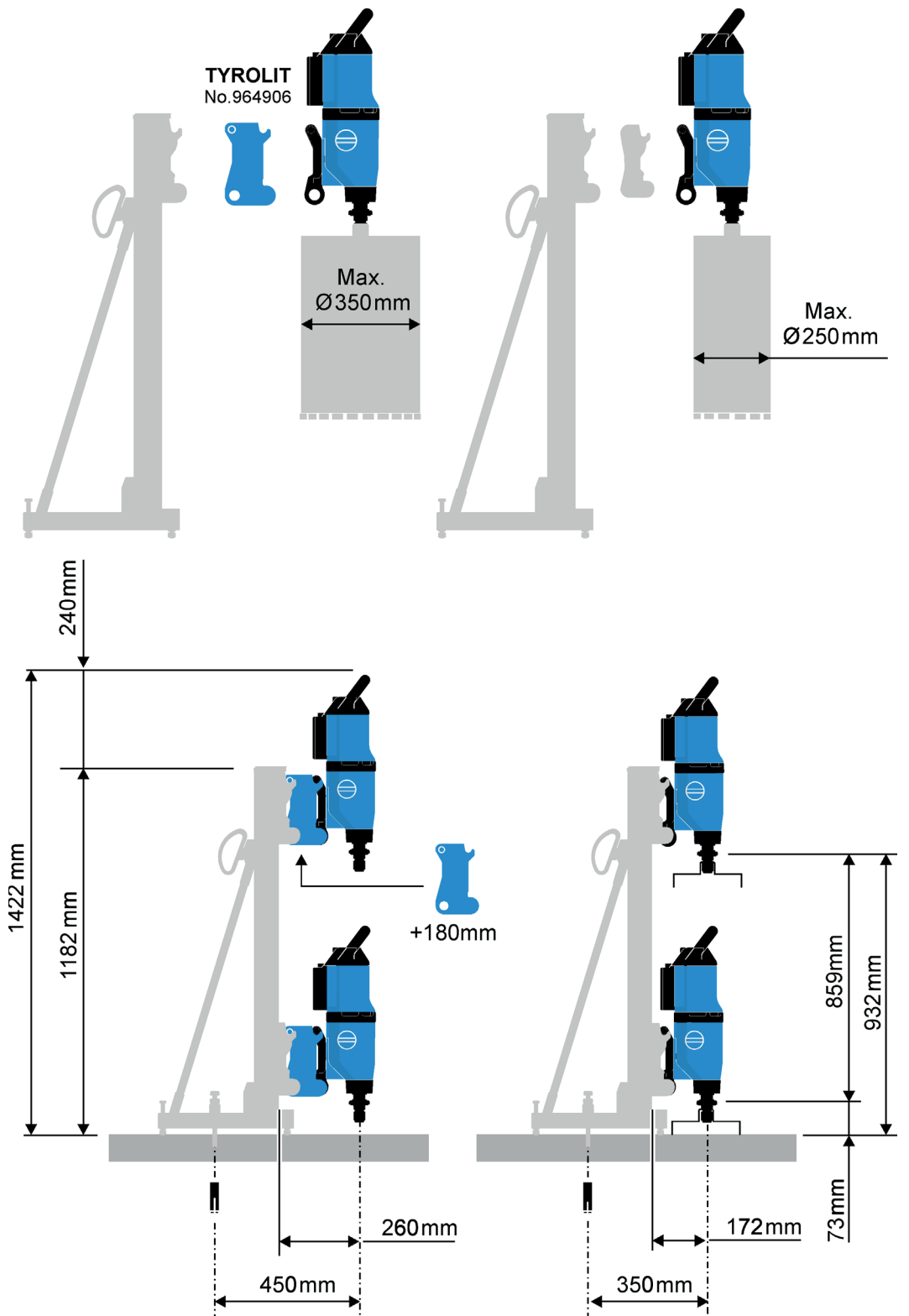
3.6 Drilling range

Example: DME32 | DRA400



Drilling range DME32 | DRA400

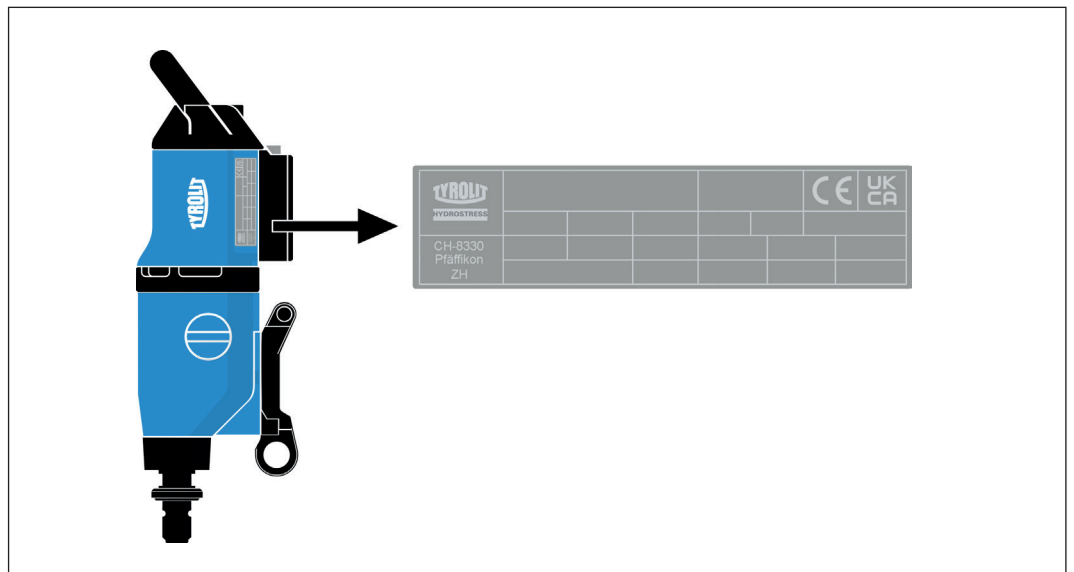
Example: DME32 | DRA500



Drilling range DME32 | DRA500

3.7 Type plate

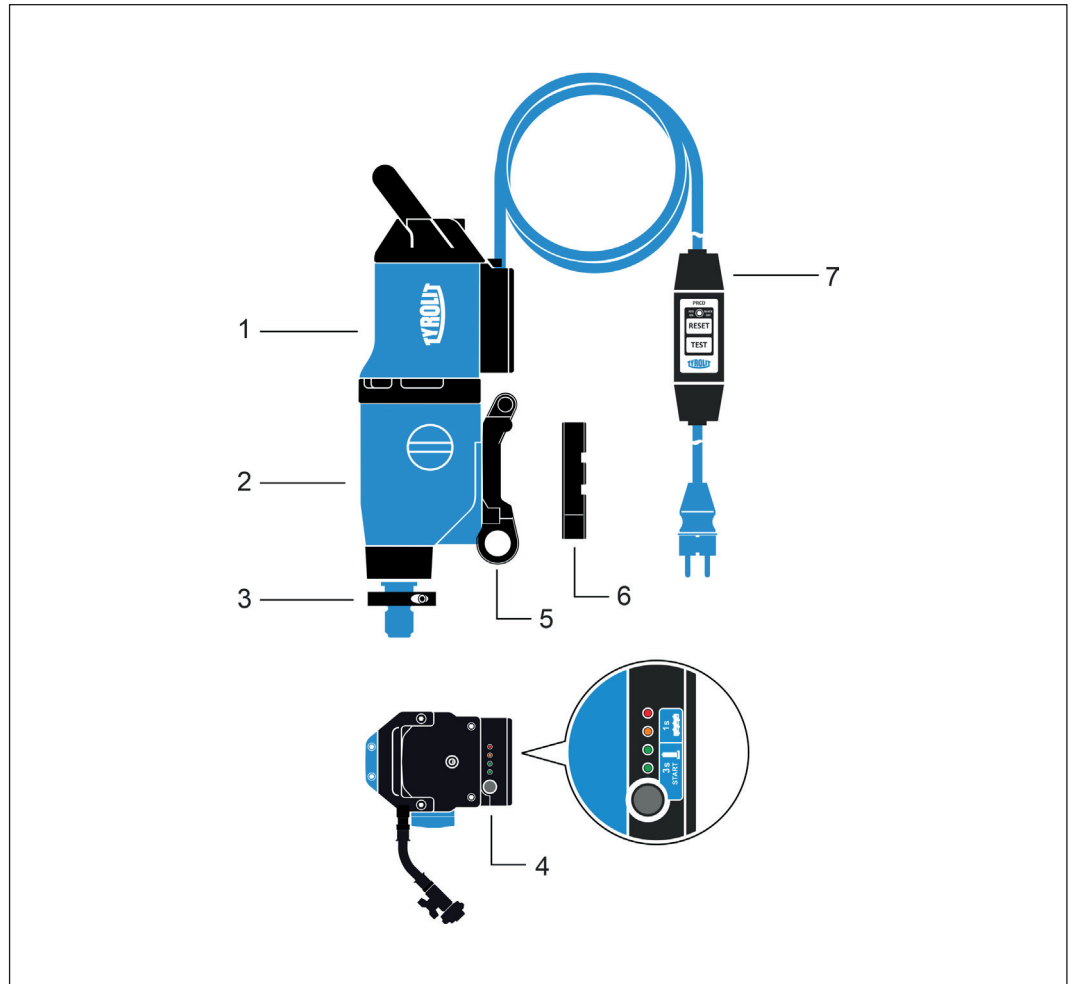
The type designation and serial number are marked on the type plate of your power tool.



Type plate

4. Design and function

4.1 Design



Design

- | | |
|-------------------------|----------------------------|
| 1 Electric motor | 5 Module drill plate |
| 2 Transmission | 6 Universal mounting plate |
| 3 Quick release element | 7 Circuit breaker |
| 4 Control panel | |

4.2 Function

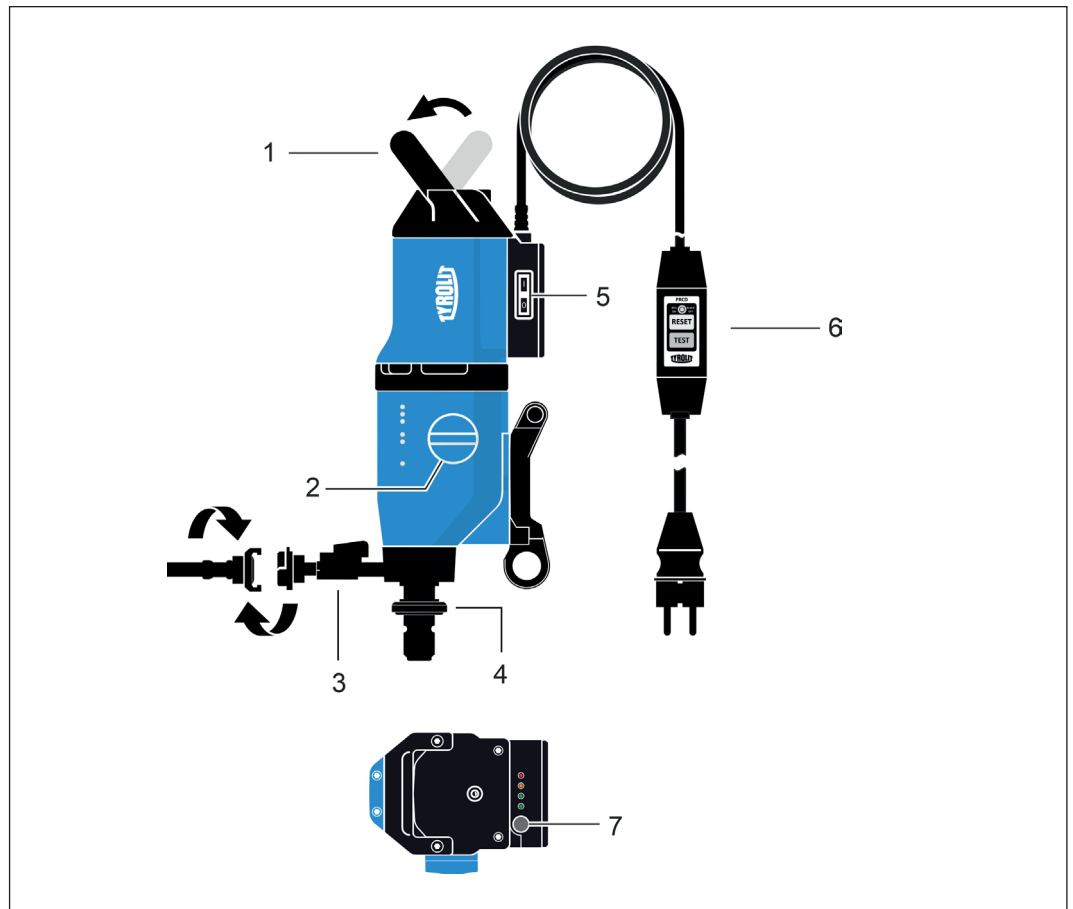
4.2.1 Functional description

The drill spindle of the power tool is driven by means of an electric motor via a mechanical transmission. The optimum speed of the cutting tool is set via the gears. The electric motor is air-cooled.

Working with the power tool is protected by a personal residual current protection device (PRCD).

4.3 Controls and display elements

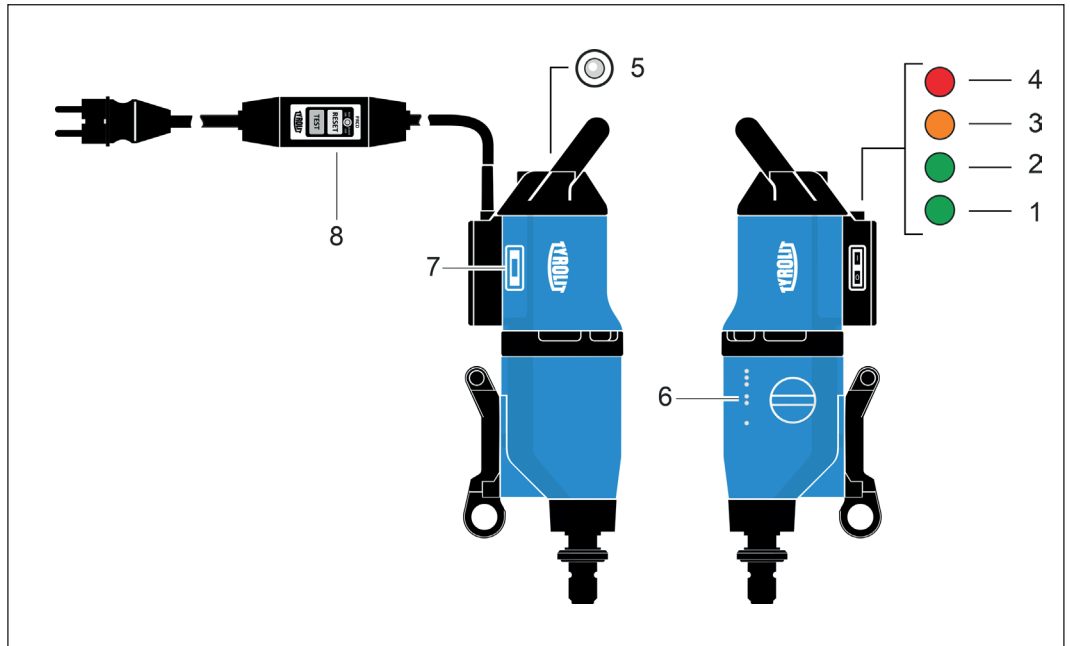
4.3.1 Controls



Controls

- | | | | |
|---|-------------------------------|---|----------------------|
| 1 | Handle (two mounting options) | 5 | Main switch on/off |
| 2 | Rotary switch/gears | 6 | Circuit breaker |
| 3 | Tap | 7 | Drilling mode button |
| 4 | Easy release element | | |

4.3.2 Display elements



Display elements

- 1-4 Light-emitting diodes
- 5 Vertical spirit level
- 6 Gears marking
- 7 Horizontal spirit level
- 8 Display PRCD ON/OFF

LED colour code

Power display at standstill	
LED 1+2 illuminates green	Power tool is ready (normal mode)
LED 1 illuminates green	Power tool is ready (drilling mode)
LED 2 illuminates green	Power tool is ready (iron mode)
LED 4 flashes red	Power tool has switched off due to overload

Power display in operation	
LED 1/2 illuminates green	The motor operates in the optimum power range
LED 3 illuminates orange	The motor is operating at its performance limit
LED 4 illuminates red	The motor runs under overload and switches off after 2 seconds

5. Assembly/disassembly

5.1 Drill rig interface

ModulDrill®
BY HYDROSTRESS

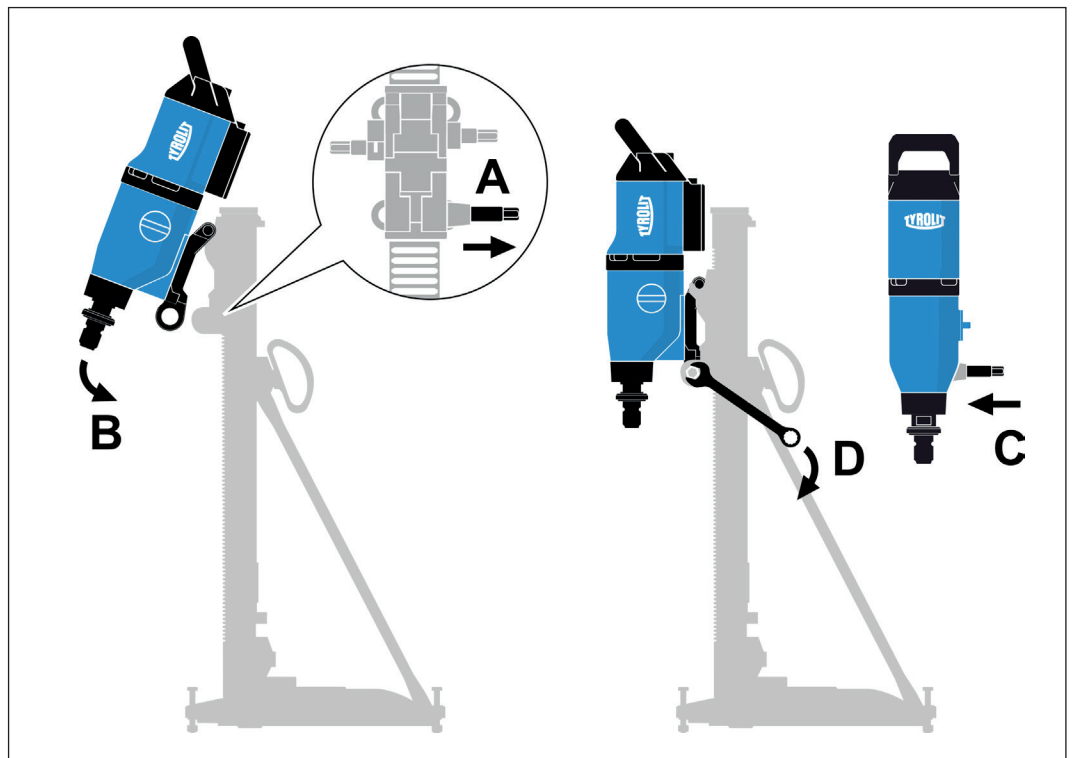
5.1.1 Assembly

✓ Tool

Open-end wrench



SW 19
Tyrolit
No. 973784



Drill rig interface

5.2 Cutting tool interface

5.2.1 Assembly

✓ Tool

Allen key 6 mm



Tyrolit No. 973792

Open-end wrench
SW32

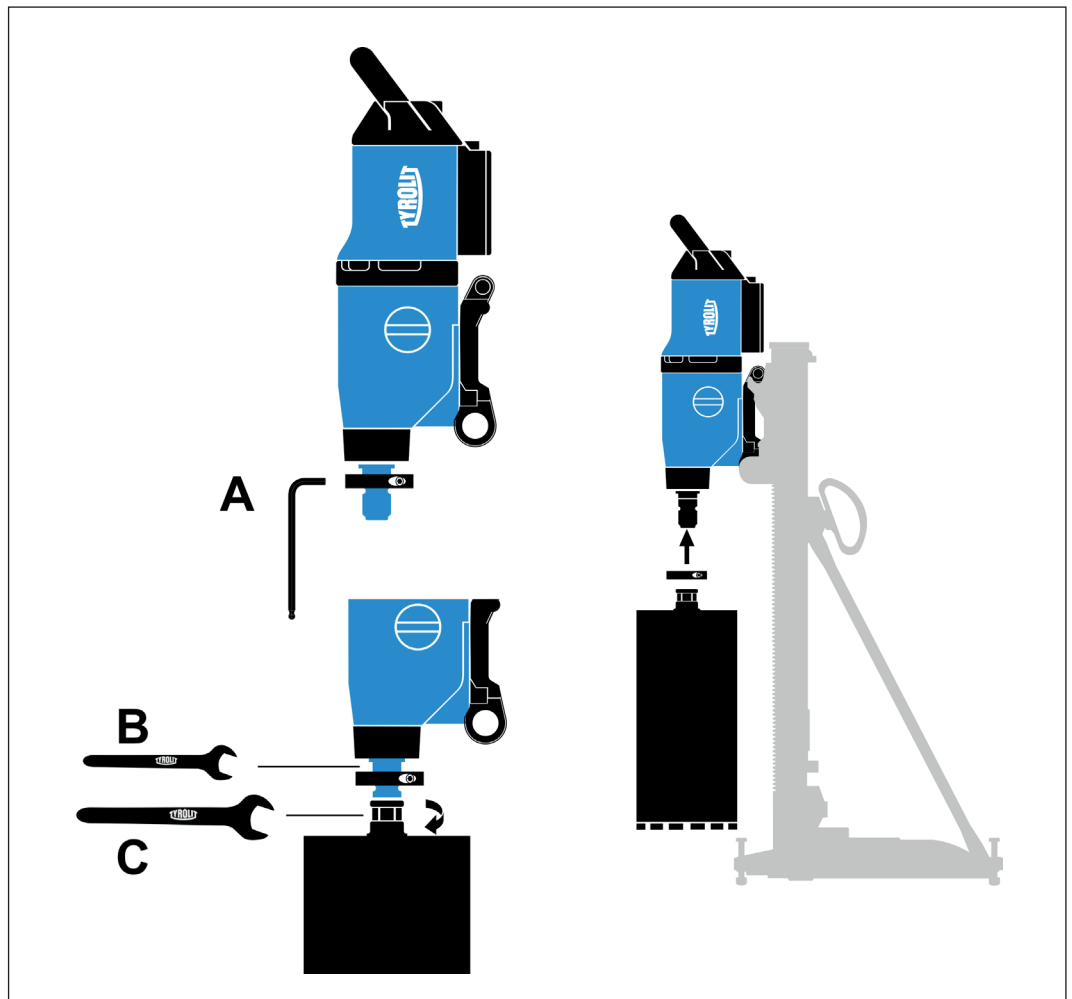


Tyrolit No. 973776

Open-end wrench
SW41



Tyrolit No. 973779



Cutting tool interface

5.3 Power supply



INFORMATION

- The mains voltage must match the specifications on the type plate.
- Protect the connecting cables against heat, oil and sharp edges.
- Only use the connecting cables for their intended purpose.
- Never carry the power tool by the connecting cable.
- Do not use the connecting cable to pull the plug out of the socket.
- In the event of power failures: switch off the power tool and pull out the plug.

5.3.1 Extension cables



INFORMATION

- Only use approved and appropriately marked extension cables outdoors.
- Avoid the use of extension cables with multiple sockets and the simultaneous operation of several devices.

Only use extension cables that are approved for the field of application and with an adequate cable cross-section.



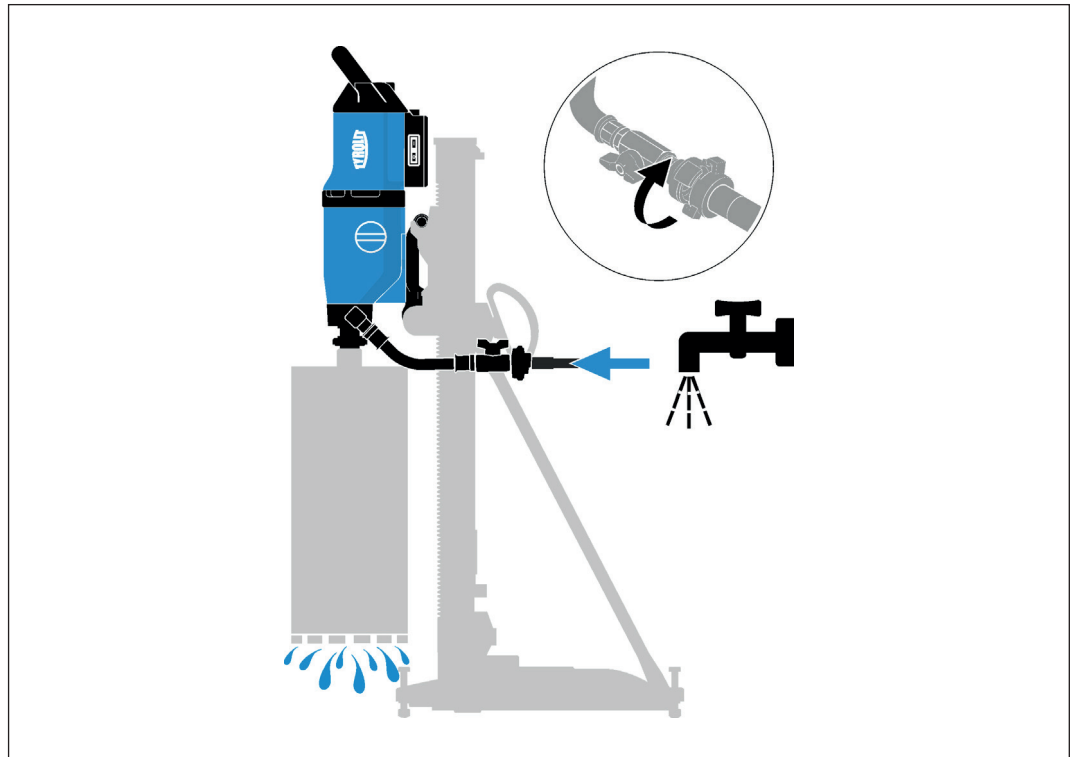
INFORMATION

Recommended minimum cross-sections and max. cable lengths

Conductor cross-section mm ²	1.5	2.5	4.0	6.0
220 V-240 V	15 m	30 m	>50 m	>100 m

5.4 Water

5.4.1 Water connection



Water connection

5.4.2 Cooling water

Cooling water				
Parameter	Value			
Hollow drill dia. in mm	52-152	162-202	212-300	350-450
Cooling water in l/min	1.0	1.5	2.0	2.5-3.0
Water connection	max. 3 bar at max 25°C			

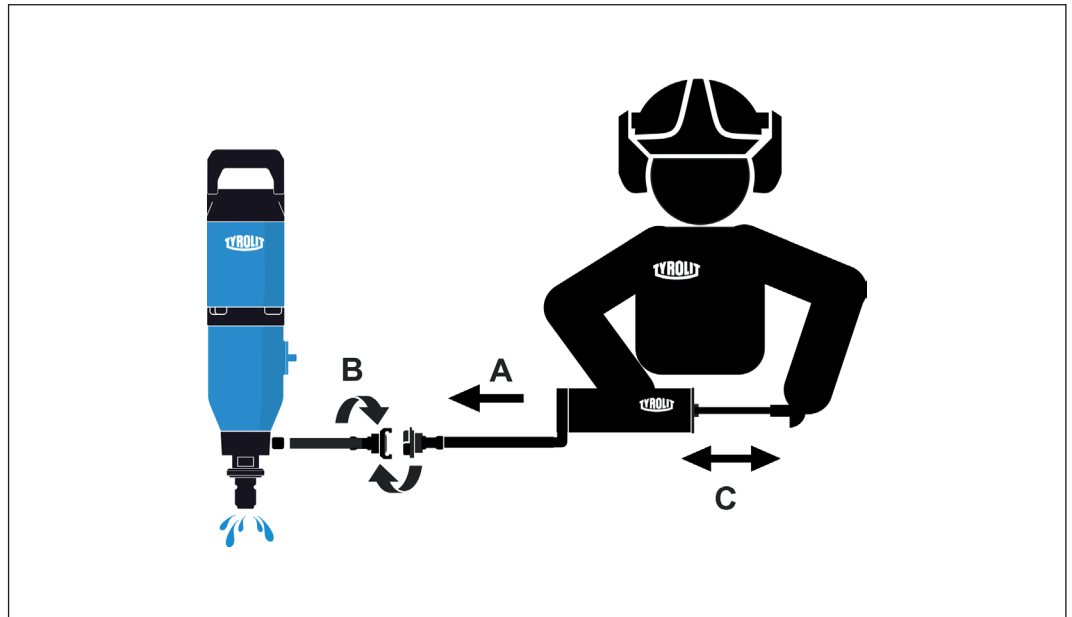
5.4.3 Dry drilling



INFORMATION

Special Tyrolit diamond tools must be used for dry drilling.

5.4.4 Blowing out water



Blowing out water

Proceed as follows:

- ▶ Pull out the mains plug.
- ▶ Detach all water lines.
- ▶ Connect purge pump to the water coupling.
- ▶ Blow out water until all coolant has been removed.
- ▶ Remove the pump.



INFORMATION

Use the Tyrolit purge pump No. 10998115 so that the water can be blown out of the cables correctly.

6. Operation



DANGER

- Never work without suitable PPE.
- Always wear ear protection during work.
- Remove adjustment and assembly tools before switching on the power tool.
- Do not work on ladders.
- Keep children away from the power tool and the working area.
- Avoid working in an unnatural posture.
- Ensure that you have a secure footing and keep your balance at all times.
- Avoid physical contact with earthed surfaces such as pipes, heaters, stoves and refrigerators. There is an increased risk of electric shock if your body is earthed.

6.1 Settings

6.1.1 Transmission

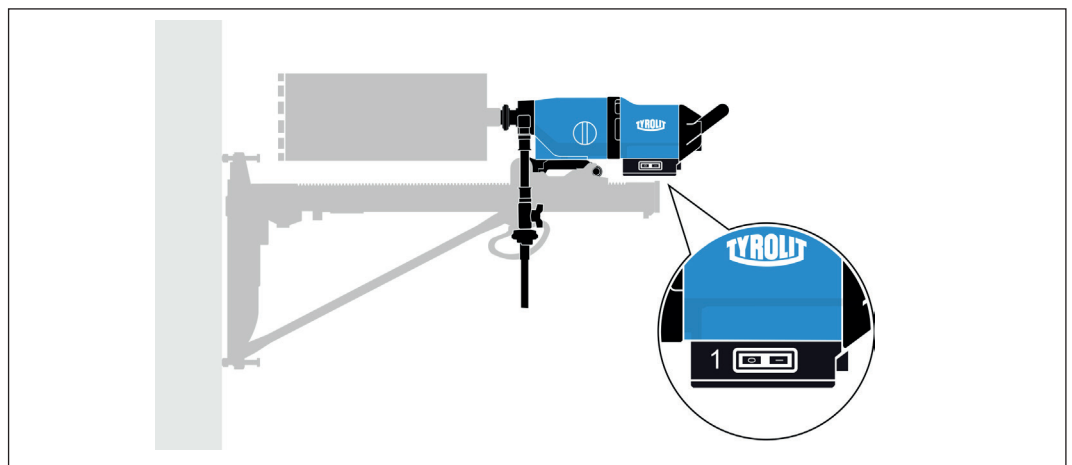
Select the switch position according to the required drilling diameter. Never use force and only switch over when the electrical appliance is stopped or at a standstill.

6.1.2 Water supply

Ensure there is a water supply.

6.2 Starting/switching off the power tool

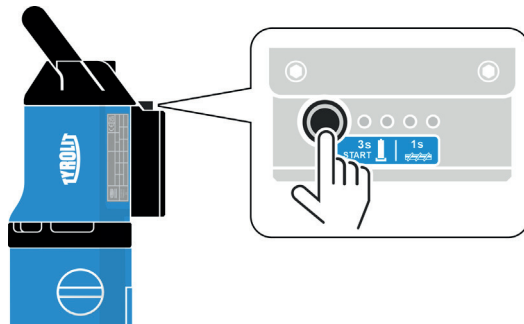
- ✓ The power tool is correctly mounted on the drill rig.
 - ✓ The cutting tool is bolted with inserted nuts securely to the power tool.
 - ✓ The power tool is connected correctly to the power supply.
 - ✓ The power supply was checked by means of a residual current circuit breaker PRCD.
 - ✓ The water supply is ensured and the cutting tool is supplied with water.
- ▶ Start the motor using the on/off switch.
- ▶ The switch position can be fixed using the locking button.



Starting the power tool

1 Main switch

6.3 Select drilling mode



	Mode	Display
3s	START	
1s	Normal mode	
1s		
1s	Normal mode	

6.4 Monitoring, inspections

6.4.1 Residual current circuit breaker

- ▶ Switch on and inspect the PRCD residual current circuit breaker.

Inspection process:

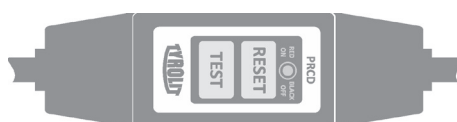
- ▶ Insert the mains plug of the power tool into a socket outlet with an earth connection.
- ▶ Press the reset button on the residual current circuit breaker PRCD (display must illuminate).
- ▶ Press the test button on the residual current circuit breaker PRCD (display must vanish).



DANGER

If the display does not clear, the device must no longer be operated. The power tool must be repaired by qualified specialists using genuine spare parts.

- ▶ Press the reset button on the residual current circuit breaker PRCD (display must illuminate).



Residual current circuit breaker

6.5 Troubleshooting

Troubleshooting		
Problem	Possible cause	Remedy
Power tool will not start	Mains cable is faulty	Contact Tyrolit Hydrostress AG Customer Service
	Power supply faulty	Check the power supply
	Electric motor or electronics defective	Contact Tyrolit Hydrostress AG Customer Service
The power tool starts up, then switches off again	A fuse blows on the construction site power supply	Fuse protection too weak, change power supply
Motor runs, but the drill bit does not turn	Gear selector	Check position
	Transmission defective	Contact Tyrolit Hydrostress AG Customer Service
Cutting tool cannot be fitted	Thread dirty	Clean and grease the thread
	Thread defective	Contact Tyrolit Hydrostress AG Customer Service
Water leakage at the housing (relief hole)	Shaft seal defective	Contact Tyrolit Hydrostress AG Customer Service
Oil leakage at the housing (relief hole)	Shaft seal defective	Contact Tyrolit Hydrostress AG Customer Service
No water discharge	Water tap on supply line closed	Open the tap
	Water pipe is blocked	Clean the water pipe
	Water valve defective	Contact Tyrolit Hydrostress AG Customer Service
	Insufficient water pressure	Check the water circuit

7. Servicing and maintenance



INFORMATION

Always disconnect the mains plug before the start of maintenance or repair work.

Servicing and maintenance table

		Each time before putting into operation	After the end of work	Weekly	Yearly	If problems occur	If damage occurs
Drive motor	<ul style="list-style-type: none"> ▶ Tighten loose bolts and nuts ▶ Check cleanliness 	X				X	X
Drill bit mounting thread	▶ Grease			X			
	<ul style="list-style-type: none"> ▶ Check for damage ▶ Check cleanliness 	X	X			X	X
Drill spindle	▶ Lubricate			X			
Cables, switches, plugs and connectors	<ul style="list-style-type: none"> ▶ Check for damage ▶ Check cleanliness 	X	X			X	X
Water system	▶ Check that water line is clean and not leaking	X				X	X
	▶ Blow out water		X				
Service	▶ Have servicing work performed by Tyrolit Hydrostress AG or an authorised representative	<ul style="list-style-type: none"> - Change gearbox oil after 100 hours - Check carbon brushes for wear after 300 hours and replace if necessary 					

7.1 Recycling waste materials



INFORMATION

Tyrolit Hydrostress power tools are manufactured using a large proportion of recyclable materials. Proper material separation is a prerequisite for recycling. In many countries, Tyrolit has already set up arrangements for returning your old equipment for recycling. Ask Tyrolit Customer Service or your sales advisor.



8. EC Declaration of Conformity

Designation	Electric drill motor
Type designation	DME32MWIDME32UW DME26MWIDME26UW DME23UW

We declare under our sole responsibility that this product complies with the following directives and standards:

Applicable directives

2006/42/EC	17/05/2006
2014/30/EU	26/02/2014
2012/19/EU	04/07/2012

Applicable standards

EN ISO 12100:2010
EN 62841-1:2015+AC:2015
EN 62841-3-6:2014+AC:2015+A11:2017
EN 55014-1:2017
EN 55014-2:2015
EN 61000-3-2:2019
EN 61000-3-3:2013+A1:2019

Tyrolit Hydrostress AG
Witzbergstrasse 18
CH-8330 Pfäffikon
Switzerland

Pfäffikon, 23/01/2024

Reto Schaffner
Managing Director Technology



TYROLIT CONSTRUCTION PRODUCTS GMBH

Swarovskistraße 33 | 6130 Schwaz | Austria

Tel +43 5242 606-0 | Fax +43 5242 63398

Our **worldwide subsidiary companies** can be found
on our website at **www.tyrolit.com**