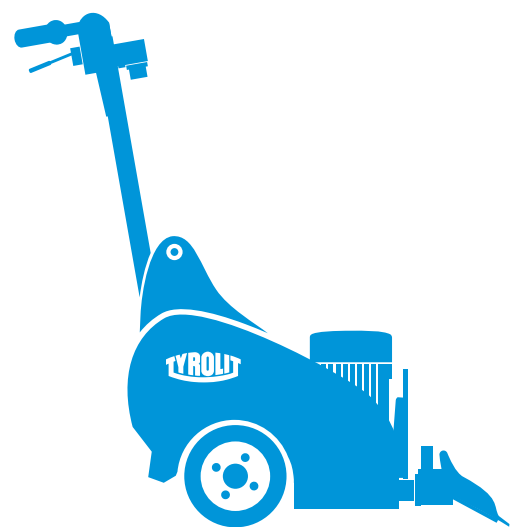




User Manual

Floor Stripper FRE350

Index 000



Original User Manual
11003128 en / 19.08.2021



Congratulations!

You have chosen a tried and tested TYROLIT product which is made according to leading technological standards. Only original TYROLIT spare parts guarantee quality and interchangeability.

If the maintenance work is neglected or improperly carried out, we cannot fulfill our guarantee obligations. All repairs may only be carried out by trained specialists. Our customer service will be happy to help you keep your TYROLIT devices in perfect condition. We wish you continuous and trouble-free work.

TYROLIT Hydrostress

Copyright © TYROLIT Hydrostress 2021

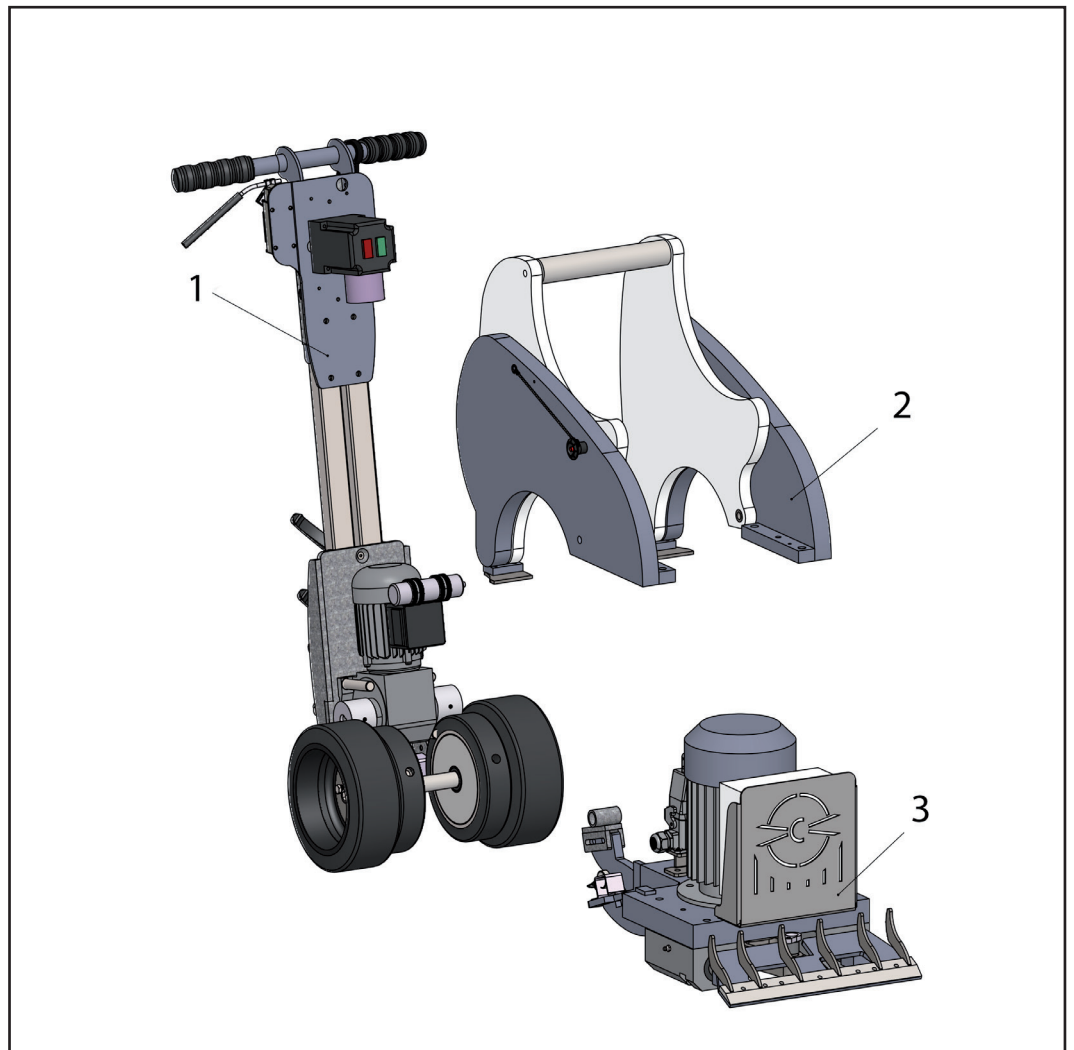
TYROLIT Hydrostress AG
Witzbergstrasse 18
CH-8330 Pfäffikon
Switzerland
Telefon 0041 (0) 44 952 18 18
Telefax 0041 (0) 44 952 18 00

www.tyrolit.com

Index

1. General Safety Information	5
1.1. Safety rules for operating the floor stripper	5
1.2. Labels on the FRE350 floor stripper	6
1.3. Machine type identification label FRE350	6
2. Operating the Machine	7
2.1. Range of applications of the FRE350	7
2.2. Operational function of the FRE350	7
2.3. Preparation (carpet, coverings)	7
2.4. Main plate	8
2.5. Handle	8
2.6. Adjusting the weights	10
2.7. Weights	10
2.8. Adjusting the handle	11
2.9. Changing the blades	11
3. Trouble Shooting	11
4. Technical Data	12
5. EU-Declaration of Conformity	13

Product Overview



Produktübersicht

- 1 Handle
- 2 Motor
- 3 Main frame

1. General Safety Information

1.1 Safety rules for operating the floor stripper



Information

The FRE350 floor stripper has been developed while taking all relevant applicable safety standards into account. The technical safety precautions must not be removed or changed under any circumstances. Before starting work, these operating instructions must be read by all persons who work with, maintain or care for the machine. When operating the floor stripper, the following points should also be observed:



WARNING!

- The FRE350 floor strippers may only be operated with all protective devices. The power plug must be pulled out when transporting, cleaning, repairing or maintaining the machine. This also applies to tool changes.
- The tool must be removed before the machine is transported.
- Only tools supplied or approved by TYROLIT may be used.
- The machine operator must not leave the machine at any time during operation.
- Before leaving the floor stripper, the machine operator must shut down the engine and secure the device against unintentional movements. In addition, the power must be disconnected.
- If unusual running noises or increased vibrations are registered during operation of the FRE350, the machine must be switched off immediately and the cause of the irregularity explored.
- After maintenance and repair work, the protective devices must be properly reinstalled.
- Protection equipment for both eyes and ears must be worn by the machinist.
- The machinist must wear safety shoes with steel toecaps.
- If there is a lot of dust in closed rooms, the floor stripper must be operated with an extraction system.

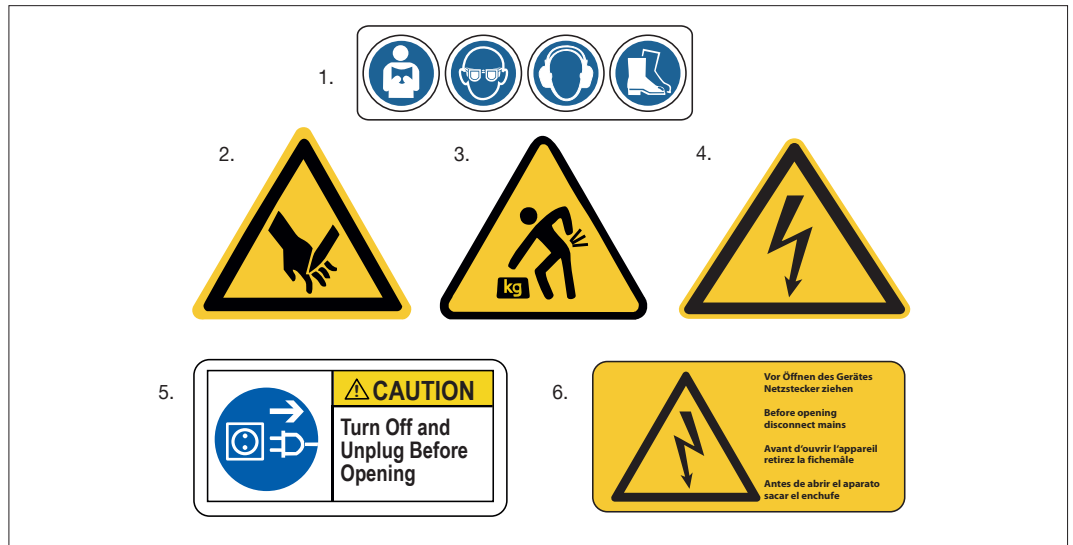


ATTENTION!

Depending on the type of floor (floor coating) stripping can produce gases/dust. The operator must be held responsible if these generated gases/dust are dangerous and if protection is necessary.

Stripping floors containing asbestos is especially dangerous and can cause health problems. Special masks must be worn which filter the air for the operator. A dust collector must be used and should be equipped with filters suitable for asbestos dust.

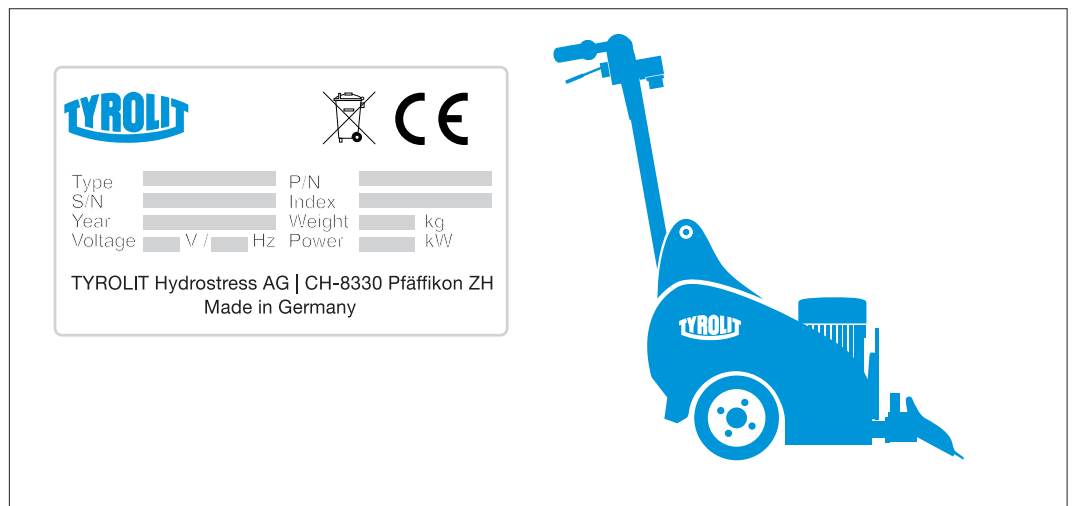
1.2 Labels on the FRE350 floor stripper



Labels on the FRE350 floor Stripper

- 1 Read all information carefully. Safety glasses, earmuffs & shoes must be worn.
- 2 Warning - electrical voltage.
- 3 Warning - risk of cuts through moving blades.
- 4 Heavy load warning.
- 5 The control cabinet must only be opened by authorized trained personnel!
- 6 Before opening, switch off and pull out the mains plug.

1.3 Machine type identification label FRE350



Machine type ID label FRE350

2 Operating the Machine

2.1 Range of applications of the FRE350



INFORMATION

The FRE350 sets new standards for floor stripper performance.

The extra strong design enables floor coverings to be peeled off and removed on dry floors. Applicable floor coverings are such as carpets, tiles, parquet, vinyl coverings, coatings, paint residues or similar. Only tools offered by TYROLIT (blades, chisels) may be used. The FRE350 can only be used outside of closed rooms in dry weather.

2.2 Operational function of the FRE350

The TYROLIT floor stripper removes any bonded floor covering by using a vibrating blade or chisel. The blade is driven by an electric motor. The drive unit is powered by a separate motor.

The blade drive starts as soon as the machine is switched on via the green switch and can easily be switched off by pressing the red emergency switch (see 2.5 Handle Nr 48). The drive unit motor starts by pressing the dead man switch (No.44) on the handle bar and then initially runs in freewheel mode.

If the handle bar is pushed forward the drive unit starts to work and the machine starts to move. The drive can be locked in the moving position by stepping on the foot lever at the bottom of the handle bar.

The FRE350 Stripper is equipped with a power-on indicator lamp. If the lamp does not indicate power-on, use another power socket or check power supply.

If a mains power failure occurs during operation, switch the machine on again.

The FRE350 can be adapted to different floor conditions thanks to the three positioning options for the weights (see Chapter 2.6). A lot of pressure on the drive wheels allows more weight on the tools for more effective covering removal. Other features of the FRE350 include:

- Self propulsion Drive Unit, manual or automatic.
- Directly driven RAM action mechanism (maintenance-free).
- Height-adjustable handle.
- Crane lifting points.
- Protective cover.
- Ergonomic control handle including all controls and dead man's switch.
- Main weight foldable in 3 stages.

2.3 Preparation (carpet, coverings)

It is sufficient to cut the covering into strips approx. 35 cm wide. Wider strips do not save time. In order to be able to start scraping, a strip is first cut across the designated area.

Then lift the floor covering slightly in order to get the blade underneath it.

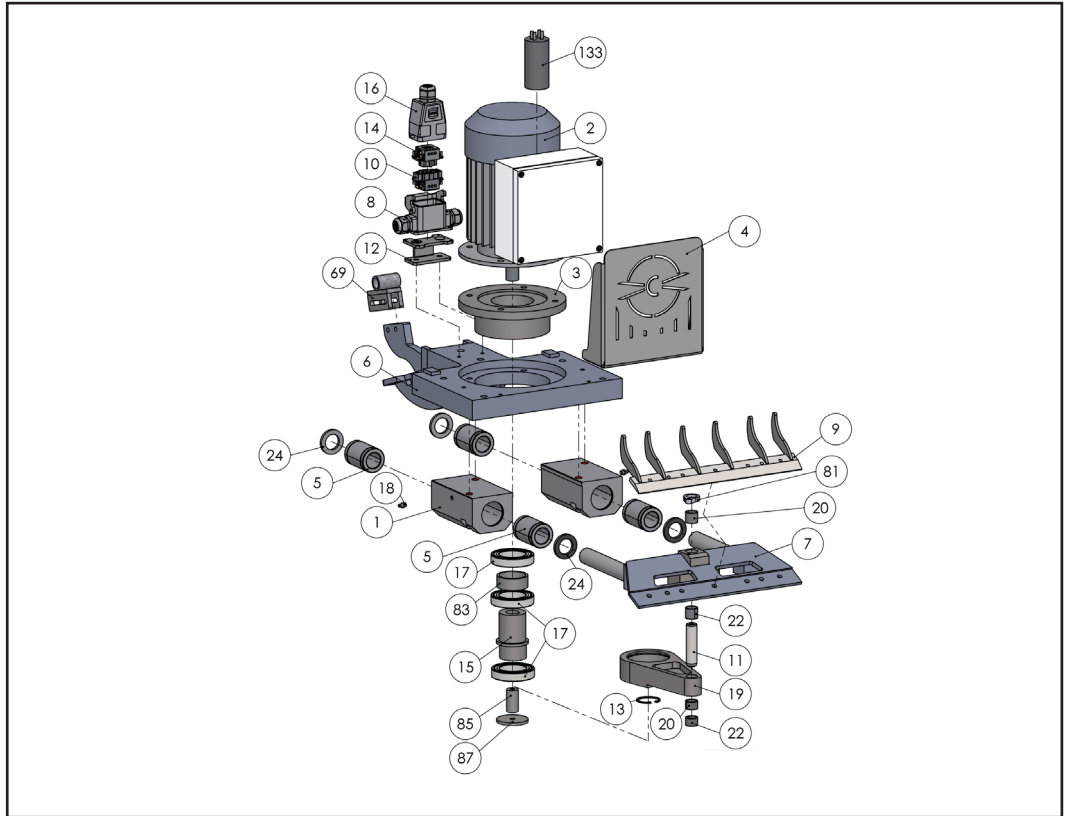
We recommend that you cut the first strip at right angles to the main working direction.

By so doing, access to the adjacent strips is made easier.

Cut the strips smaller if the floor covering is bonded very securely, e.g. with an epoxy adhesive. The blades are sharpened by the floor pavement. Therefore the blade only has to be changed if it is twisted, rounded or becomes worn.

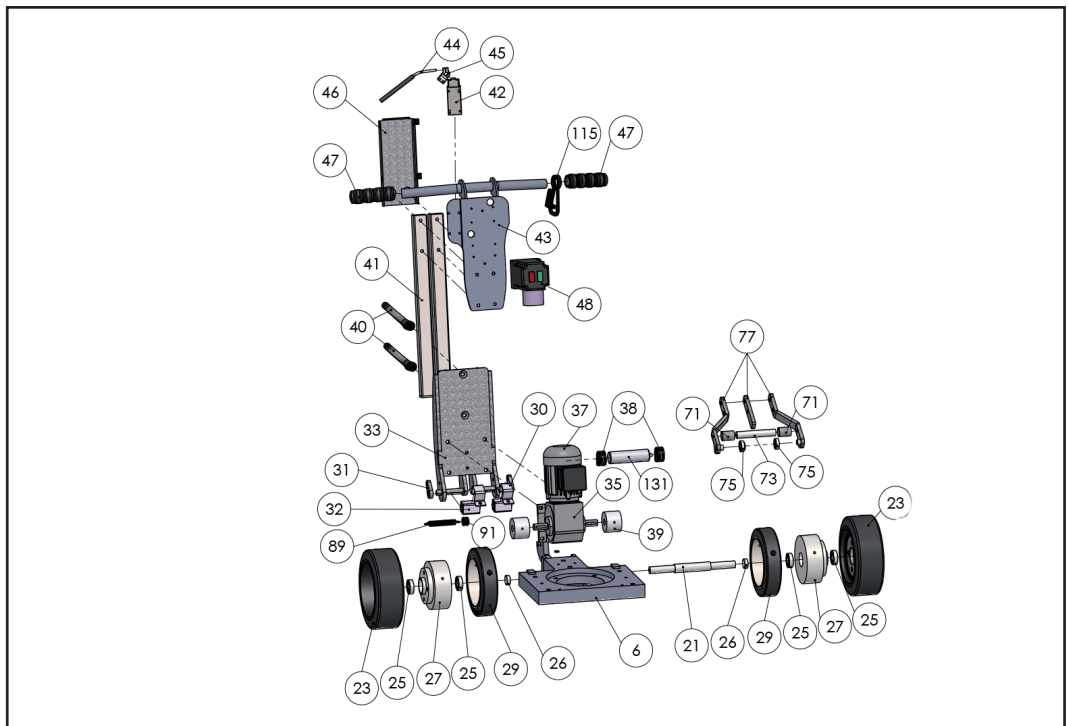
The driving wheels are subject to wear. They have to be changed if necessary.

2.4 Main plate



Main plate

2.5 Handle



Handle

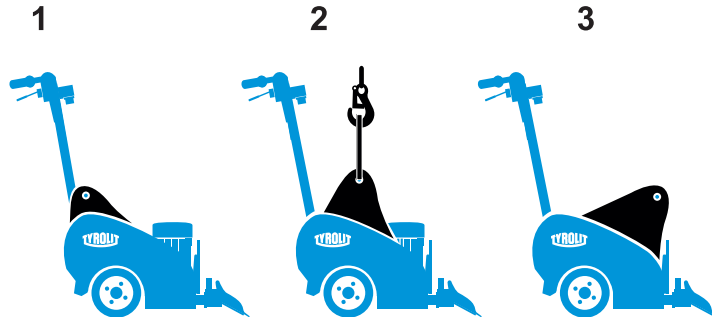
Index numbers for the Main plate and Handle

No.	Description	No.	Description
1	Linear bearing housing	48	Switch
2	Motor	69	Bracket for Drive Adjustment
3	Main Bearing Housing	71	Spacer Drive adjustment
4	Fender Motor	73	Shaft Drive Adjustment
5	Linear-Bearing	75	Bearing
6	Main Plate	77	Drive adjustment Lever
7	Blade Holder	81	Rod Pin Bracket
8	Plug Housing	83	Spacer Bearing Housing
9	Bracket for Blade 350mm	85	Drive Shaft Spacer
10	Plug Pin Mounting	87	Rod Bearing Washer
11	Rod axis	89	Tension Spring
12	Connection bracket	91	Hose clamp
14	Jack in the Housing	101	Weight outside left
15	Eccentric Drive Shaft	102	Weight outside right
16	Socket housing	103	Weight inside left
17	Bearing	104	Weight inside right
18	Grease nipple	105	Weight Connector
19	Connecting Rod	107	Scraper
20	Slide Bush 20mm	109	Axis inner Weight
21	Wheel axis	111	Snap Pin
22	Gleitlager 15mm	113	Chain for Pin
23	Drive Wheel	115	Strain Relief
24	Sealing	131	Capacitor
25	Bearing	133	Capacitor
26	Slide Bush 10mm	135	Clamp
27	Drive hub		
29	Binding Wheel		
30	Bracket for Rubber Block		
31	Square bracket		
32	Rubber Block		
33	Motor mounting plate		
35	Gearbox		
37	Drive Unit Motor		
38	Clamp		
39	Wheel on Drive Motor		
40	Clamping lever		
41	Handle Bracket		
42	Drive Unit Switch complete		
43	Handle		
44	Drive Unit Lever Alloy		
45	Drive Unit Switch Head		
46	Handle Cover		
47	Rubber Grip		

2.6 Adjusting the weights

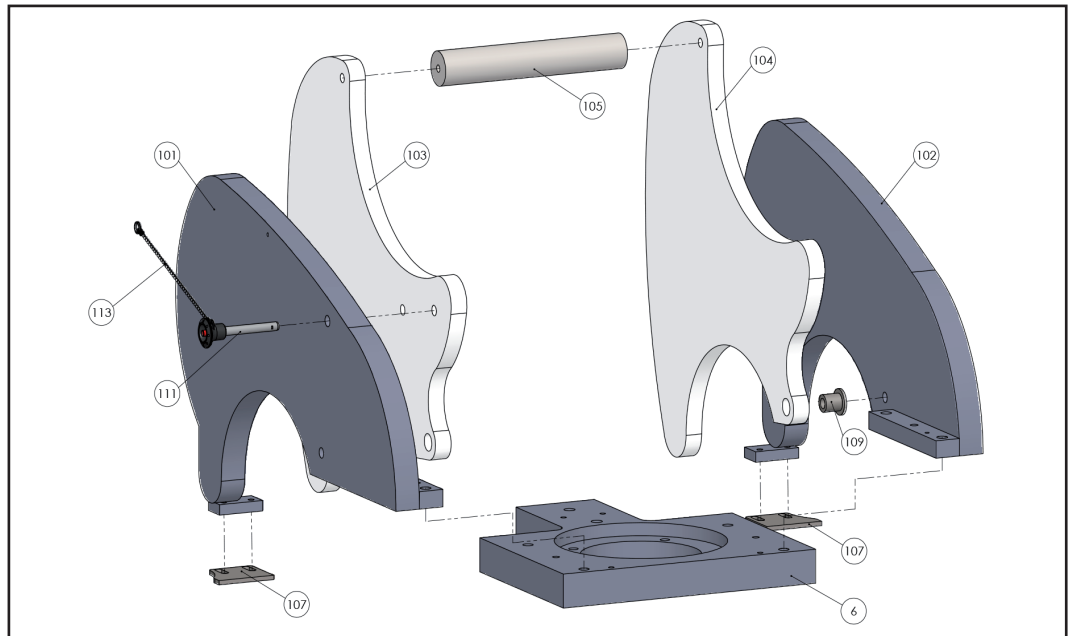
The two center weights can be locked in three different positions.

The locking bolt (see Graphic Weights No.111) is situated on the right outside weight. The bolt must be pulled out before changing the position.



Position 1:	Reinforced weight on the rear traction wheels. The drive wheels do not slip and the drive is increased.
Position 2:	Middle position and option for transportation with a crane .
Position 3:	Weight reinforced on the tool. This prevents the tool from lifting off and sliding over the base.

2.7 Weights



Weights

06	Main Plate	107	Scraper
101	Weight outside left	109	Axis inner weight
102	Weight outside right	111	Snap pin
103	Weight inside left	113	Chain for pin
104	Weight inside right		
105	Weight connector		

2.8 Adjusting the handle

The height of the handle bar can be adjusted to adapt the machine to the stature of the operator. To adjust the inclination, loosen the two screws (see Chapter 2.5 Handle Nr.40) at the base of the handle.

2.9 Changing the blades



WARNING!

Before starting work, disconnect the plug from the mains. Use gloves.

- ▶ Lock the weights as in Pos 1 (see Chapter 2.6 Adjusting the weights).
- ▶ Tip the machine until it rests in a stable position.
- ▶ Clean and loosen the screws of the blade mounting
- ▶ Warning! Set the wrench at a position opposite to the blade to avoid injury.
- ▶ Carefully remove the blade

Make sure that the blade fits exactly into the support.

On normal and hard subfloors the bevel of the blade should show upwards (B).

On soft subfloors the bevel should show downwards (A).

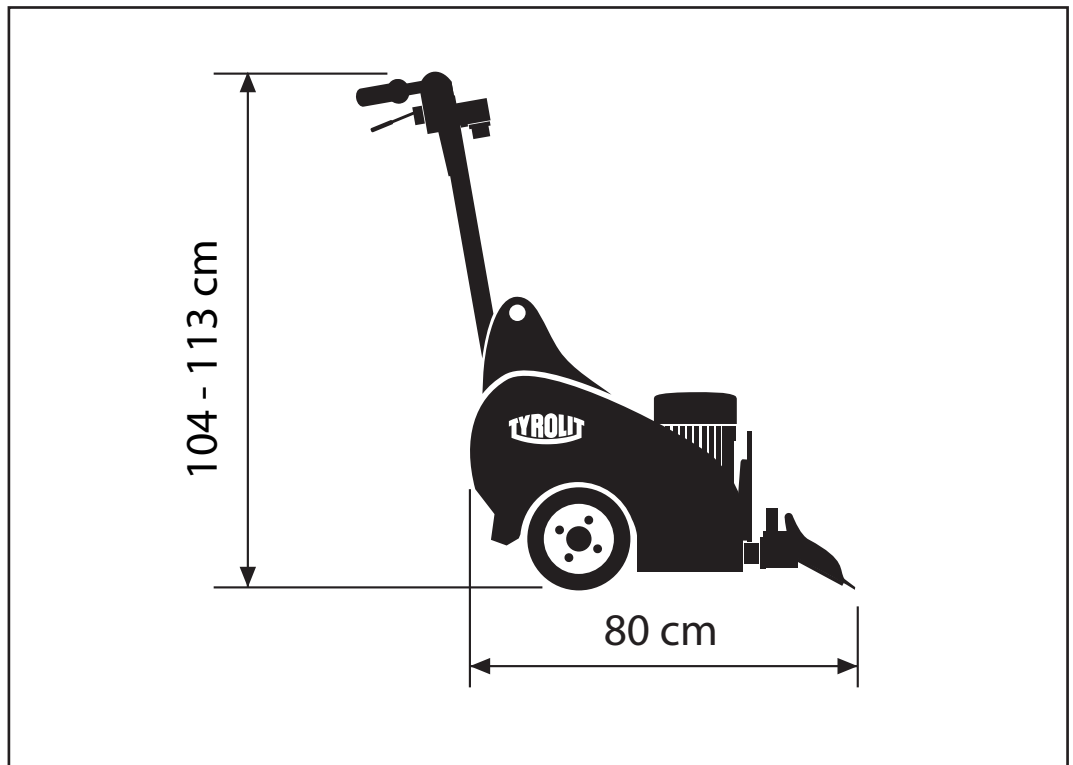
Position of blade bevel when changing		
	A. downwards facing	for soft subfloors
	B. upwards facing	for normal and hard flooring

Tighten the screws of the blade mounting again.

3 Trouble Shooting

Trouble Shooting		
Problem	Possible cause	Solution
Machine does not run	<ul style="list-style-type: none"> – Power supply disconnected – Blown fuse – Defect cable 	<ul style="list-style-type: none"> – Check power supply. – Have machine repaired by a qualified electrician, change parts
Bad performance	<ul style="list-style-type: none"> – Blade is blunt 	<ul style="list-style-type: none"> – Change blade
Excessive vibration	<ul style="list-style-type: none"> – Machine parts are worn out 	<ul style="list-style-type: none"> – Return machine for repair or service

4 Technical Data



Technische Daten	
Parameter	Value
Maximum working width	35 cm
Length	80 cm
Width	50 cm
Height	104 - 113 cm
Weight	225 kg
Power supply	230 V
Power consumption	11.2 A
Average value of acceleration a_{hv}^*	9.2 m/s ²
Noise level L_{wa}^*	99 dB(A)
Noise level L_{eq}^*	87 dB(A)

*Measured values / data: VÜA Verein zur Überwachung technischer Anlagen e.V.

5 EU-Declaration of Conformity

Machine function Floor stripper
Type of machine FRE350

We hereby certify that the machine described here in its conception, construction and form and placed into circulation by TYROLIT, is done so in accordance with all the relevant essential health and safety requirements of the EU Machinery Directive 2006/42/EEC as amended and the national laws and regulations adopting this directive.

This declaration is no longer valid if the machine is modified without our consent.

The agreement with further valid guidelines/regulations for the products is explained in the following:

2006/42/EG vom 17. May 2006
2004/108/EG vom 15. December 2004

Other applied harmonized standards and specifications in particular:

EN ISO 12100 : 2010
EN 60204 -1 : 2018
EN IEC 61000-6-2 : 2019
EN IEC 61000-6-4 : 2019

TYROLIT Hydrostress AG

Witzbergstrasse 18
CH-8330 Pfäffikon
Switzerland

Pfäffikon, 14.July 2021



Roland Kägi
Leiter Entwicklung

TYROLIT CONSTRUCTION PRODUCTS GMBH

Swarovskistraße 33 | 6130 Schwaz | Austria

Tel +43 5242 606-0 | Fax +43 5242 63398

Our **worldwide subsidiary companies** can be found
on our website at **www.tyrolit.com**